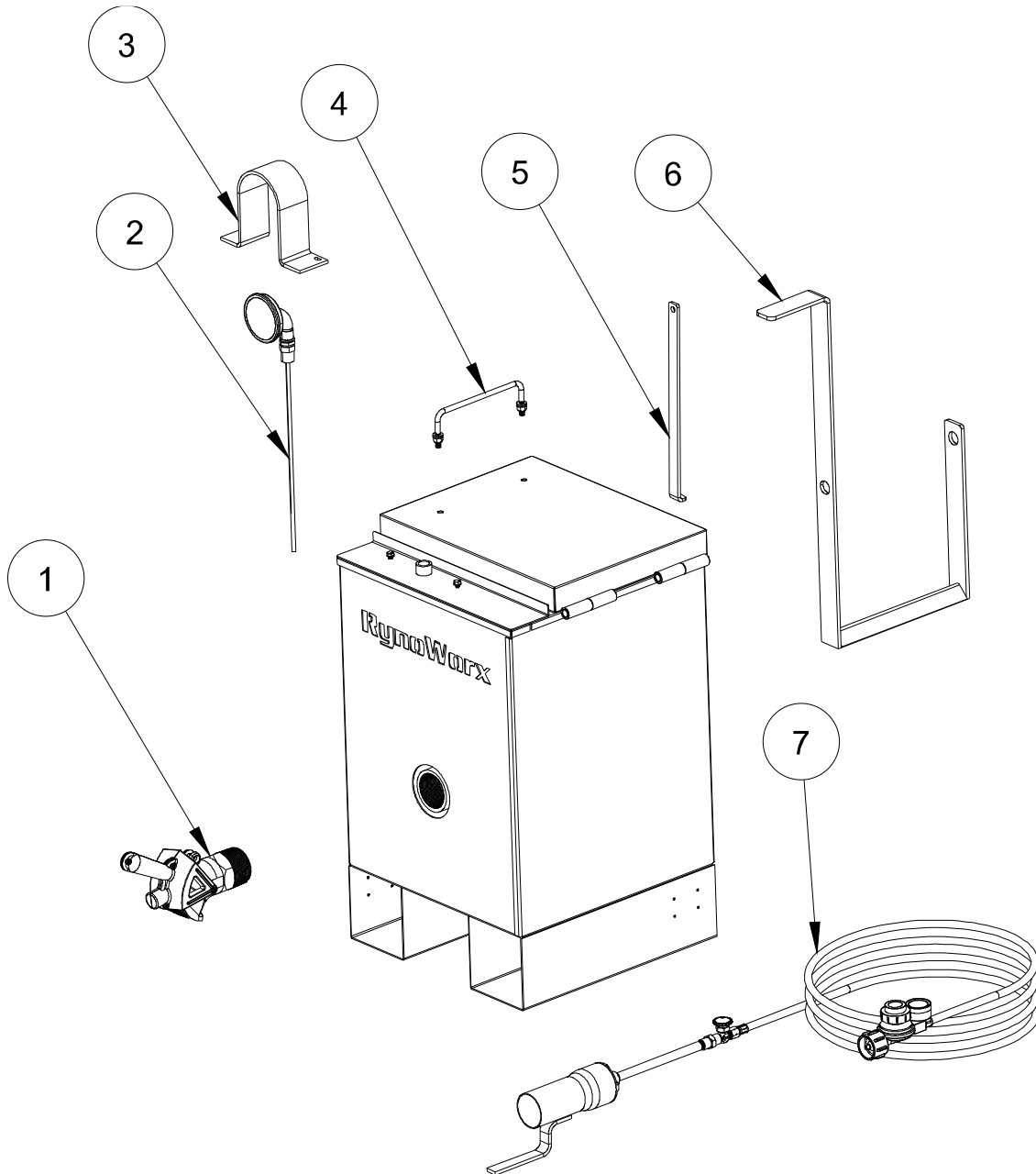


No	P/N	Description
1	RA-VLV-0003	2" NPT Molasses Valve Assembly
2	RC-GCM-0010	Thermometer - 14" Probe - Shock Proof Liquid Filled
3	RC-FAB-0010	Thermometer Guard Bracket
4	RA-BAS-0048	Removable Lid Handle Assembly - 10MK
5	RC-FAB-0101	Melter Lid Support Slider
6	RC-FAB-0108	Agitation Sweep Bar - RY10MK
7	RA-GCM-0015	Torch Complete Assembly



**RynoWorx**

MPN:  
RA-MLT-0012

Model:  
RY10MK

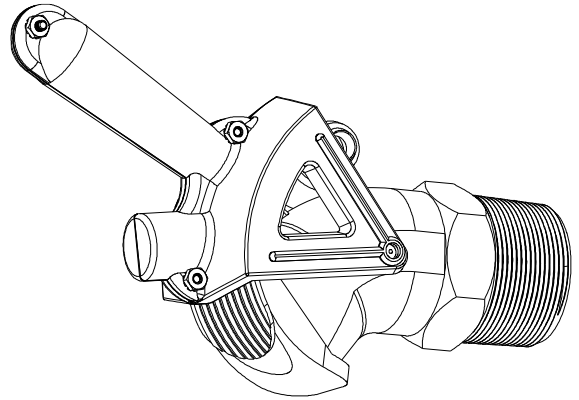
Description:  
10 Gallon Melter Kettle Torch Model

• Replacement Parts

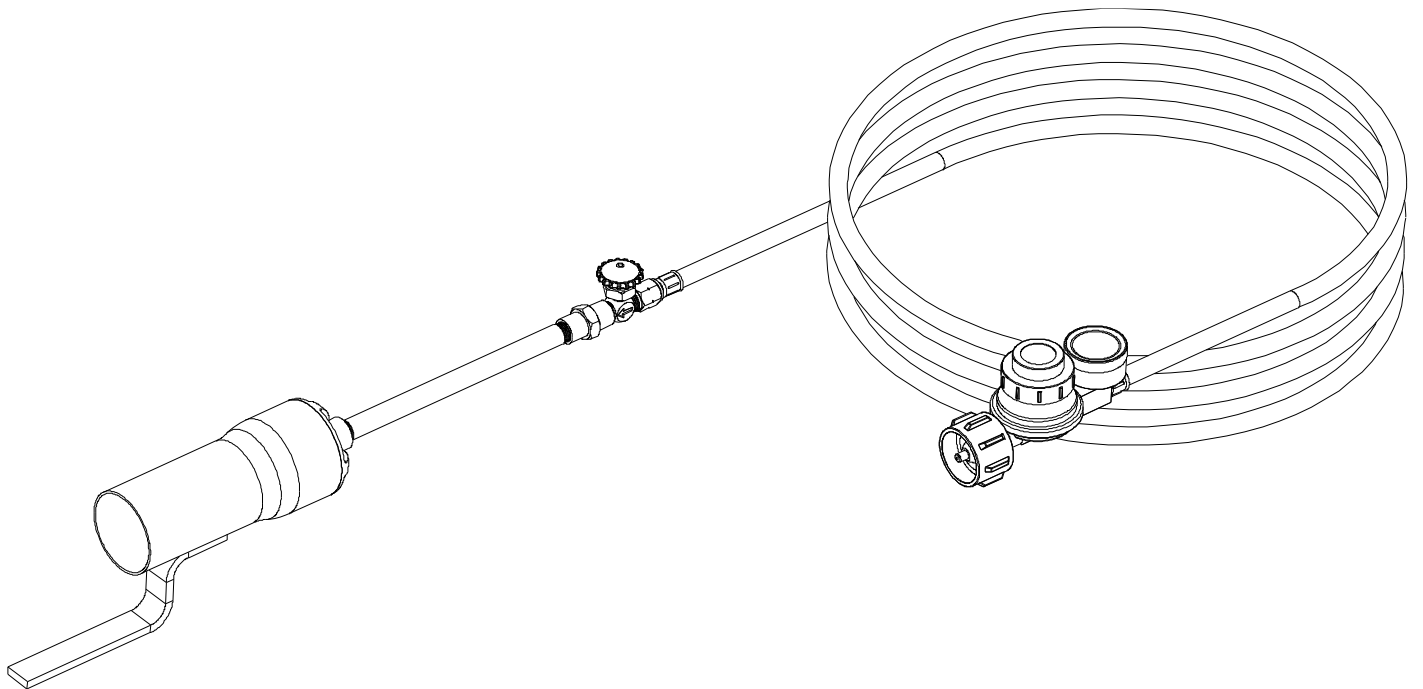
RA-GCM-0010 - Thermometer - 14" Probe - Shock Proof



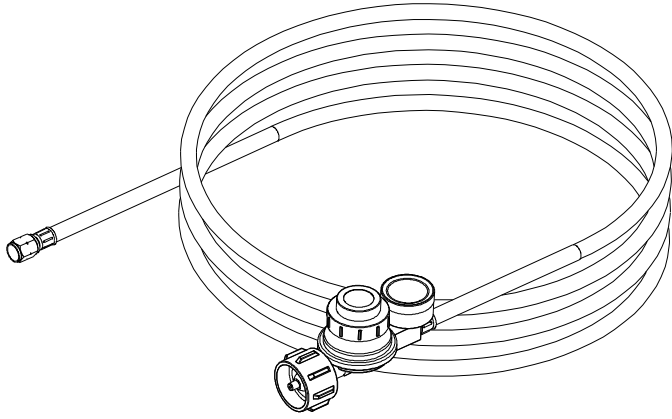
RA-VLV-0003 - 2" NPT Molasses Valve



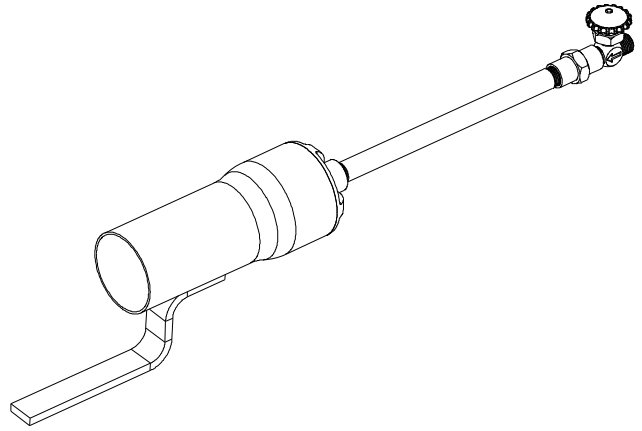
RA-GCM-0015 - Torch Complete Assembly



RC-GCM-0068 - Regulator and Hose - 0 - 30 Psi with Pressure Gauge (10' Hose)



RC-GCM-0016 - Torch for Melter Applicator with Valve



RC-STK-0001 - Flint Striker

