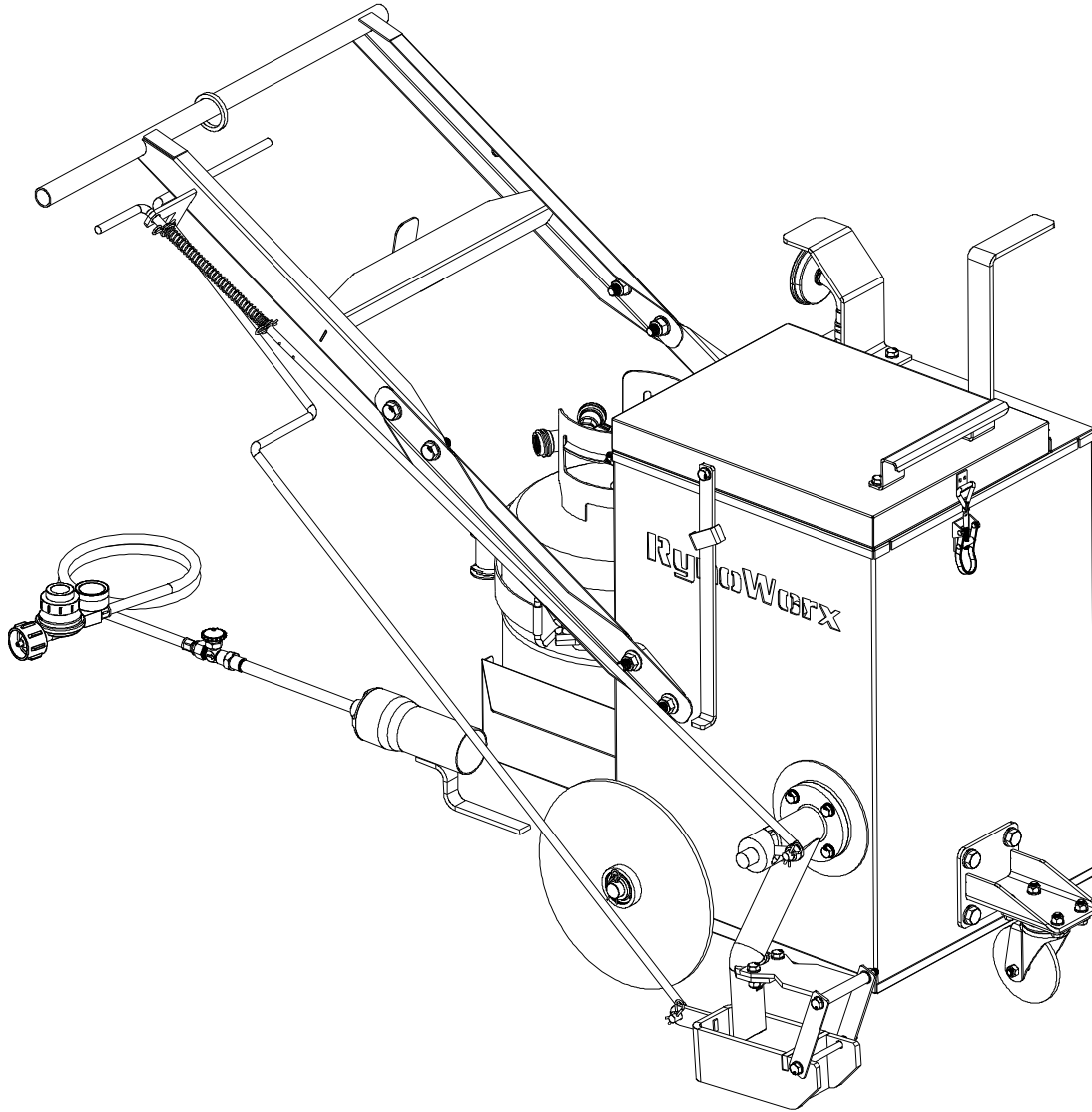


RynoWorx

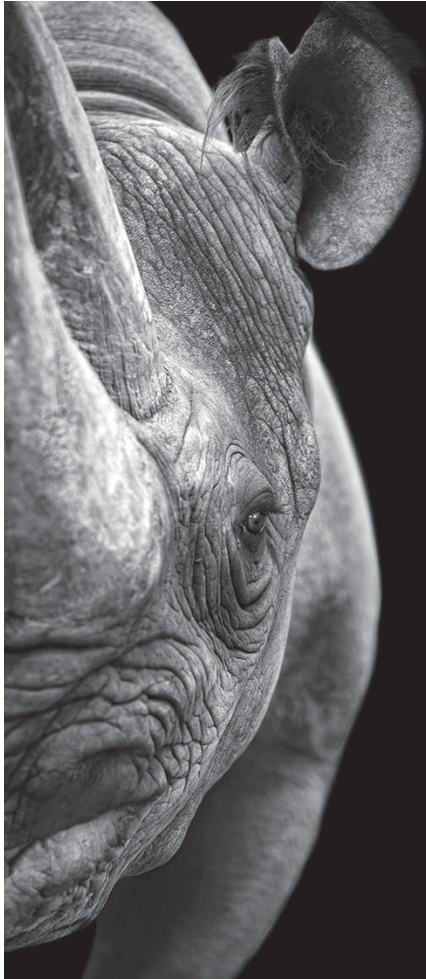
Operator's Manual



Model: RY10MA-V3 Base Model

MPN: RA-MLT-0015

10 Gallon Direct Fire Melter Applicator - Torch Model



NEED HELP? WE ARE HERE FOR YOU!



Facebook Messenger
support@rynoworx.com



WhatsApp Messaging
519-404-9775



Website Chat
rynoworx.com/support



Email
support@rynoworx.com



Phone
855-382-9611



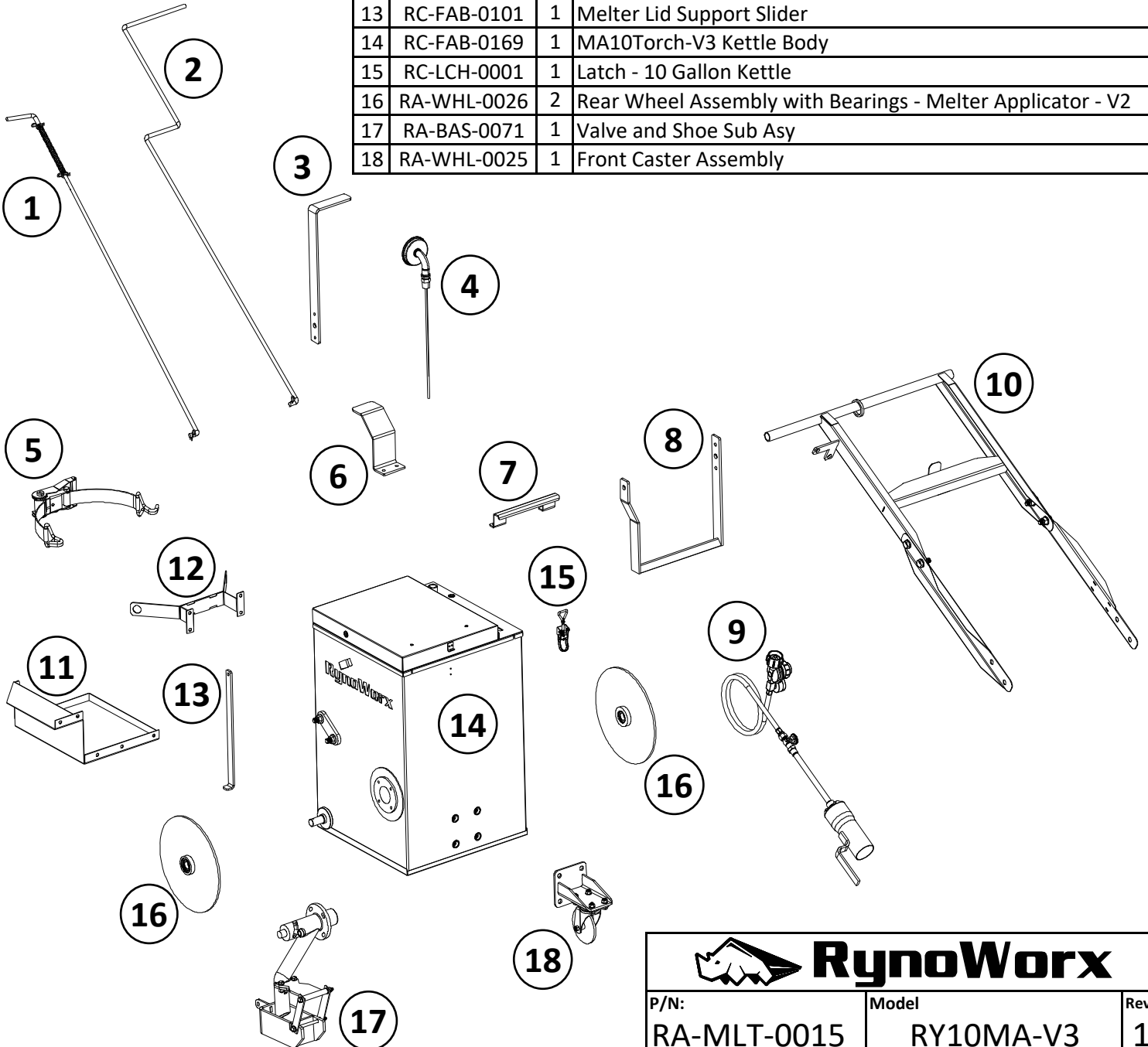
RynoWorx®


RYNOWORX.COM

Warning

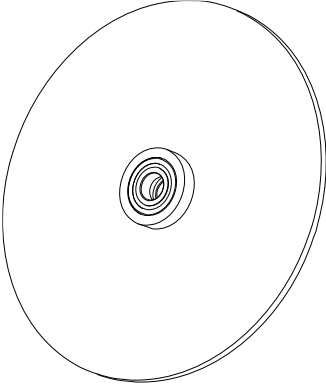

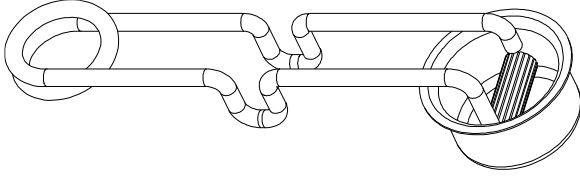
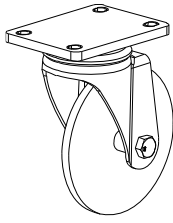
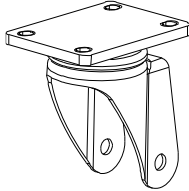
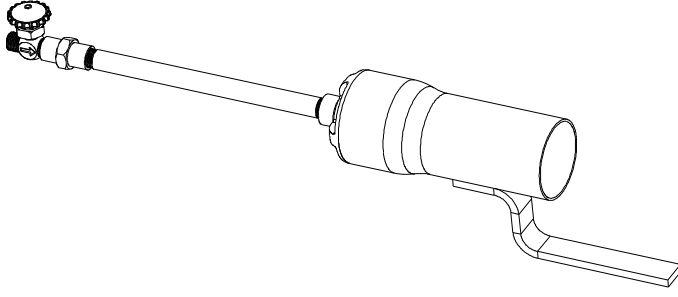
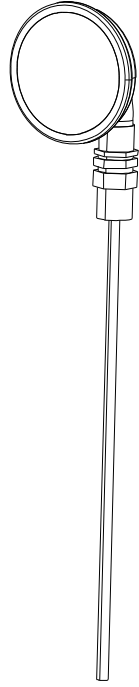
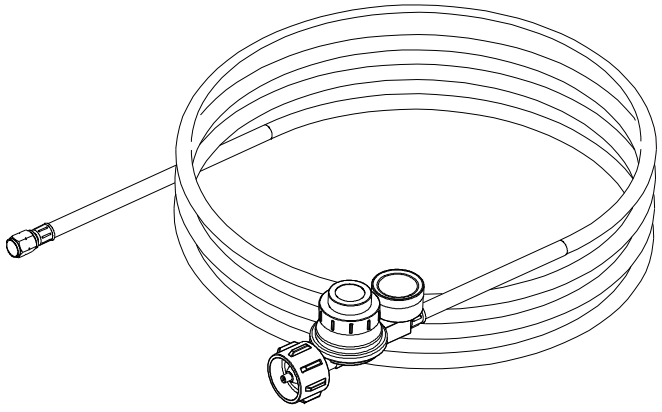
- ⚠ Read all instructions and warnings in this manual before attempting to operate this equipment
- ⚠ This equipment is designed for outdoor use only.
- ⚠ Be sure to always wear personal protective equipment when operating this equipment.
- ⚠ Improper assembly may be dangerous. Please follow the assembly instructions in this manual. Make sure all parts are assembled and hardware is fully tightened before using. Make sure that there are no leaks in the liquid propane cylinder connection or lines.
- ⚠ Do not operate the equipment if a gas leak is present. (check for leaks and connections with every use)
- ⚠ Do not attempt to disconnect the gas regulator from the tank or any gas fitting while the equipment is in use.
- ⚠ A dented or rusty liquid propane tank may be hazardous and should be checked by your liquid propane supplier. Do not use a liquid propane tank with a damaged valve.
- ⚠ Ensure that your propane cylinder is within its expiry date for your local jurisdiction. If the tank has expired it must be properly requalified to continue using.
- ⚠ Ensure that your propane cylinder is within its expiry date for your local jurisdiction. The manufacturing date is stamped on the collar of the tank. If the tank has expired it must be properly requalified.
- ⚠ Do not store spare liquid propane cylinders within 10 feet (3m) of this equipment.
- ⚠ Do not store or use gasoline or other flammable liquids or vapors within 25 feet (8m) of this equipment.
- ⚠ Before servicing, make sure the unit is fully cooled and the liquid propane cylinder is disconnected.
- ⚠ Only genuine RynoWorx replacement parts should be used for any replacements or repairs. Do not attempt to modify or alter this product in any way.
- ⚠ Do not attempt to make any repairs to gas carrying, gas burning, igniter components or structural components. Your actions, if you fail to follow this warning, may cause a fire, an explosion, or structural failure resulting in serious personal injury or death as well as damage to property.
- ⚠ This equipment should only be used with "Direct Fire" hot melt crack sealant.
- ⚠ Failure to follow these instructions could result in fire or explosion which could cause property damage, personal injury or death.

No	P/N	Qty	Description
1	RA-BAS-0076	1	MA10-Torch-V3 Valve Control Arm Complete Assembly
2	RA-BAS-0077	1	MA10-Torch-V3 Shoe Control Arm Complete Assembly
3	RC-FAB-0176	1	MA10-Torch-V3 Agitation Handle
4	RC-GCM-0067	1	Thermometer - 16.5" Probe - Shock Proof Liquid Filled
5	RC-STR-0001	1	Propane Tank Ratchet Strap
6	RC-FAB-0147	1	Thermometer Guard - MA-V4
7	RC-FAB-0151	1	Lid Handle - MA-V4
8	RC-FAB-0143	1	Agitation Sweep Bar - MA-V4
9	RA-GCM-0015	1	MA Torch Complete Assembly
10	RA-BAS-0078	1	MA10-Torch-V3 Handle Bar Assembly
11	RC-FAB-0171	1	MA10-Torch-V3 Tank Shelf
12	RC-FAB-0133	1	Tank Spacer - MA-V4
13	RC-FAB-0101	1	Melter Lid Support Slider
14	RC-FAB-0169	1	MA10Torch-V3 Kettle Body
15	RC-LCH-0001	1	Latch - 10 Gallon Kettle
16	RA-WHL-0026	2	Rear Wheel Assembly with Bearings - Melter Applicator - V2
17	RA-BAS-0071	1	Valve and Shoe Sub Asy
18	RA-WHL-0025	1	Front Caster Assembly



 RynoWorx		
P/N:	Model	Rev:
RA-MLT-0015	RY10MA-V3	1
Description:		
RY10MA - 10 Gallon Torch Fired Melter Applicator - Complete Assembly - Version 3		

• **Common Replacement Parts**

<p>RA-WHL-0026 - Rear Wheel with Bearings</p> 	<p>RC-BRG-0001 - Wheel Bearing for Melter Applicator Rear Wheel</p> 
<p>RC-STK-0001 - Flint Striker</p> 	<p>RA-WHL-0005 - Front Caster with Wheel</p>  <p>RC-WHL-0014 - 4 Bolt Caster Swivel</p> 
<p>RC-GCM-0016 - Torch for Melter Applicator with Valve</p> 	<p>RC-GCM-0067 - Thermometer - Shock Proof Glycerin Filled</p> 
<p>RC-GCM-0068 - Regulator and Hose with Pressure Gauge (10 ft/ 3 m)</p> 	

- **Introduction**

Forward

Thank you very much for purchasing RynoWorx crack maintenance equipment. We pride ourselves in being different from other equipment manufacturers with a relentless focus on innovation, simplicity, and quality.

RY Series Melter / Applicators are designed to effectively melt and apply direct-fire type crack sealant to joints and cracks found in hard aggregate surfaces. This melter is powered by a liquid propane gas burner, which effectively melts crack sealants within the kettle.

This melter was designed to be used with 'Direct Fire' crack sealants only. Please be sure to purchase the correct material to ensure safe and effective operation.

Within this document are complete instructions for how to assemble, use and care for your equipment. Please make sure you read and follow all instructions provided.

Within this document you will find the following resources:

- **Assembly/ Setup Instructions** – These instructions will assist you in assembling and preparing your melter for first time use.
- **Operation Guide** – This guide will explain the controls and functions of the melter and how to use them.
- **Maintenance Guide** – This guide will provide you with suggested maintenance tips and techniques to ensure proper function and optimal performance.
- **Troubleshooting Guide** – This guide will provide you with the most commonly reported problems, possible causes, and known solutions.

Required Tools

Required:

- 2 x 13 mm Wrenches or Sockets
- 19 mm or 3/4" Wrench or Socket
- 17 mm Wrench
- 22 mm Wrench

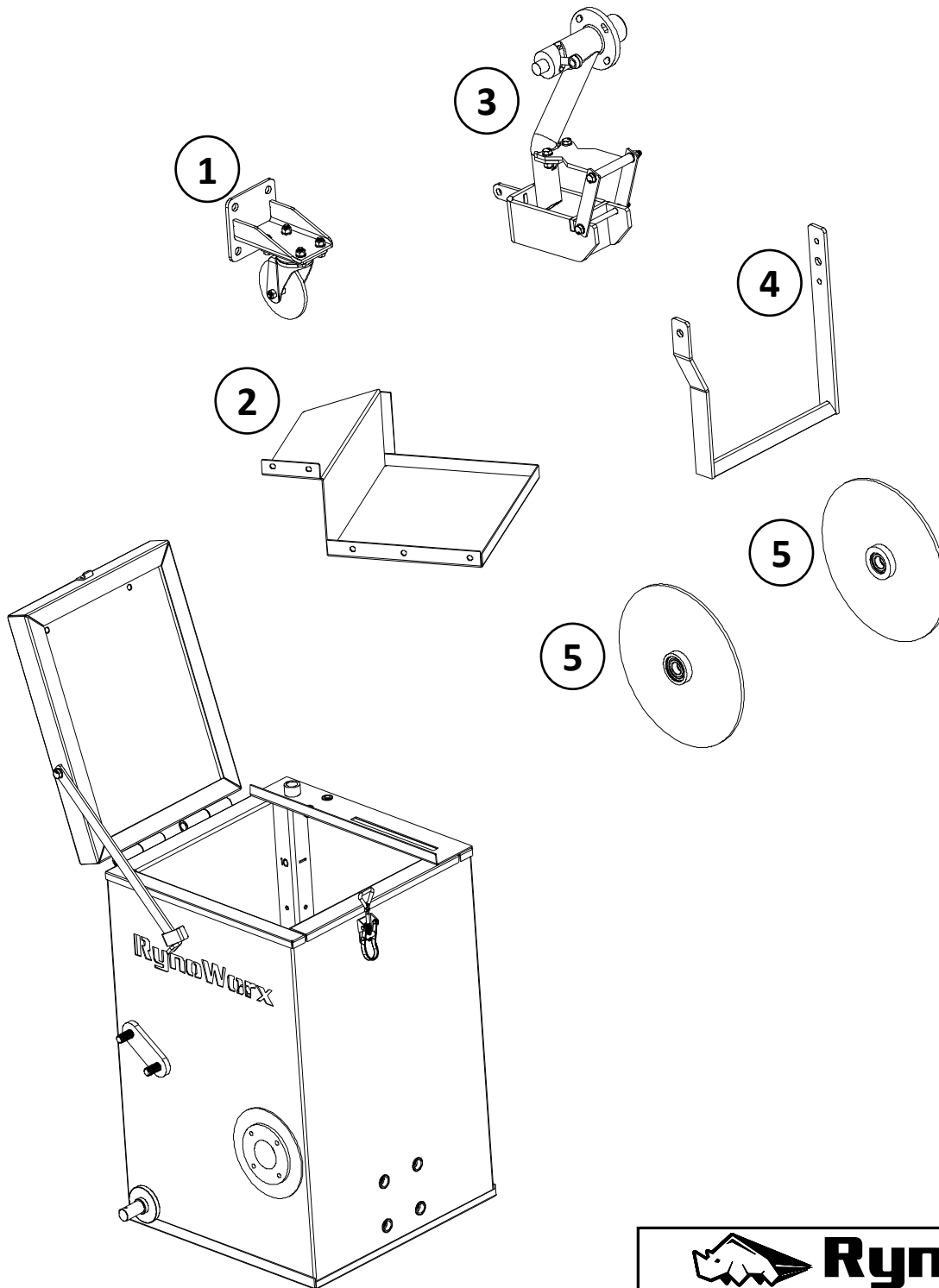
Optional:


- Needle Nose Pliers
- Adjustable wrenches to substitute for any wrench above

What's Included in the Box

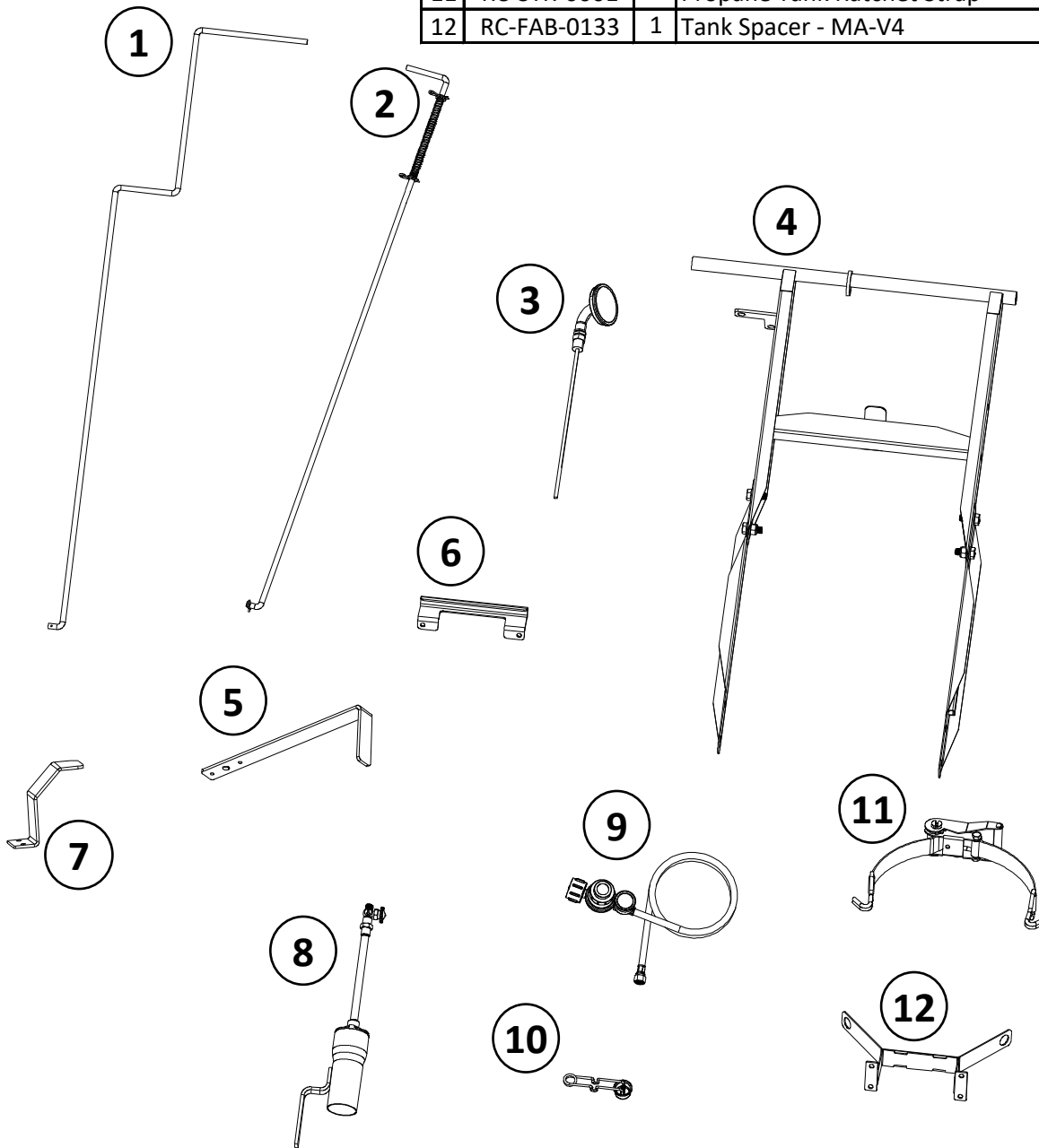
The next 2 pages show which parts are included in each of the 2 boxes this machine ships in.

No	P/N	Qty	Description
1	RA-WHL-0025	1	Pro Front Caster Assembly
2	RC-FAB-0171	1	MA10-Torch-V3 Tank Shelf
3	RA-BAS-0071	1	Valve and Shoe Sub Asy
4	RC-FAB-0143	1	Agitation Sweep Bar - MA-V4
5	RA-WHL-0026	2	Rear Wheel Assembly with Bearings - Melter Applicator - V2



 RynoWorx		
P/N:	Model	Rev:
RA-MLT-0015	RY10MA-V3 Base Model	1
Description:		
Parts Packed Inside the Kettle		

No	P/N	Qty	Description
1	RA-BAS-0077	1	MA10-Torch-V3 Shoe Control Arm Complete Assembly
2	RA-BAS-0076	1	MA10-Torch-V3 Valve Control Arm Complete Assembly
3	RC-GCM-0067	1	Thermometer - 16.5" Probe - Shock Proof Liquid Filled
4	RA-BAS-0078	1	MA10-Torch-V3 Handle Bar Assembly
5	RC-FAB-0176	1	MA10-Torch-V3 Agitation Handle
6	RC-FAB-0151	1	Lid Handle - MA-V4
7	RC-FAB-0147	1	Thermometer Guard - MA-V4
8	RC-GCM-0016	1	Torch for Melter Applicator with Valve
9	RC-GCM-0068	1	Regulator and Hose - 0 - 30 Psi with Pressure Gauge (3 m)
10	RC-STK-0001	1	Flint Striker
11	RC-STR-0001	1	Propane Tank Ratchet Strap
12	RC-FAB-0133	1	Tank Spacer - MA-V4



Fastener kit (RK-FAS-0086) also included.



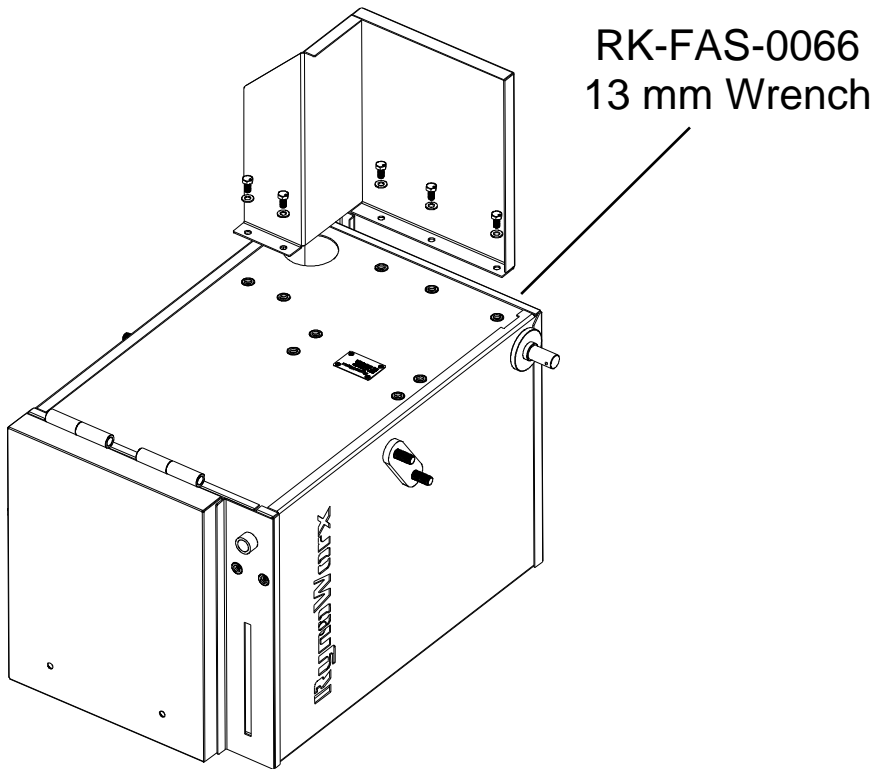
RynoWorx

P/N: RA-MLT-0015	Model: RY10MA-V3 Base Model	Rev: 1
----------------------------	---------------------------------------	------------------

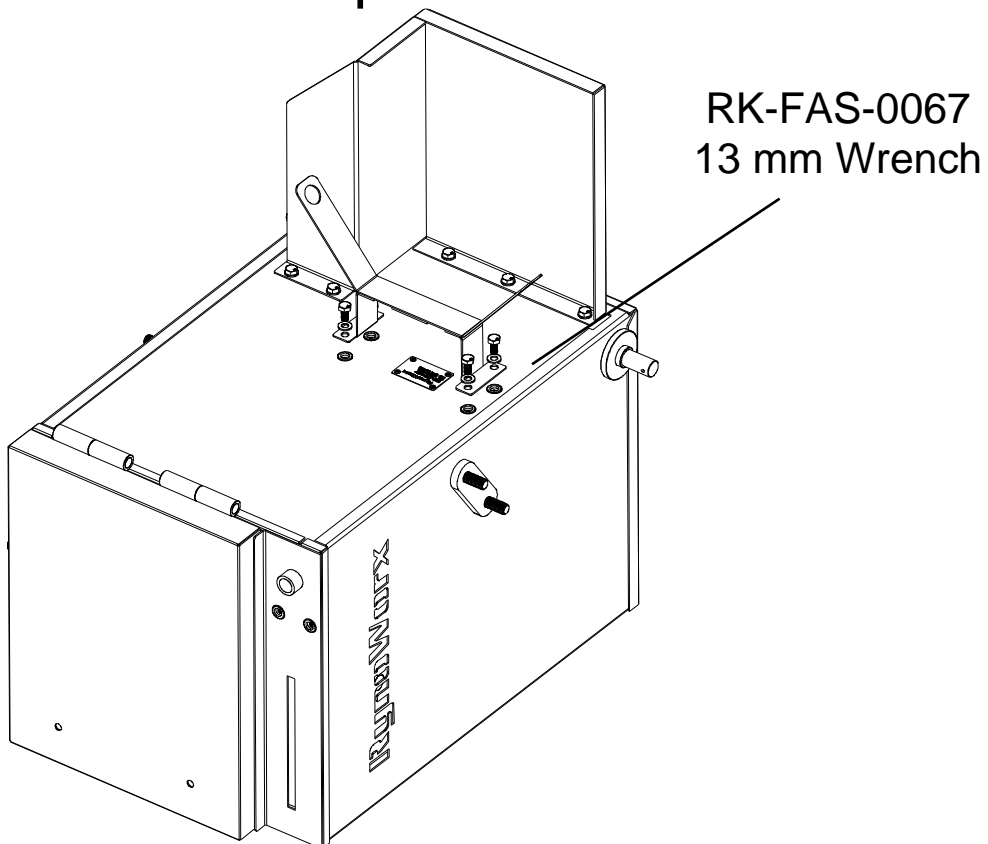
Description:

Parts Packed Inside the component box

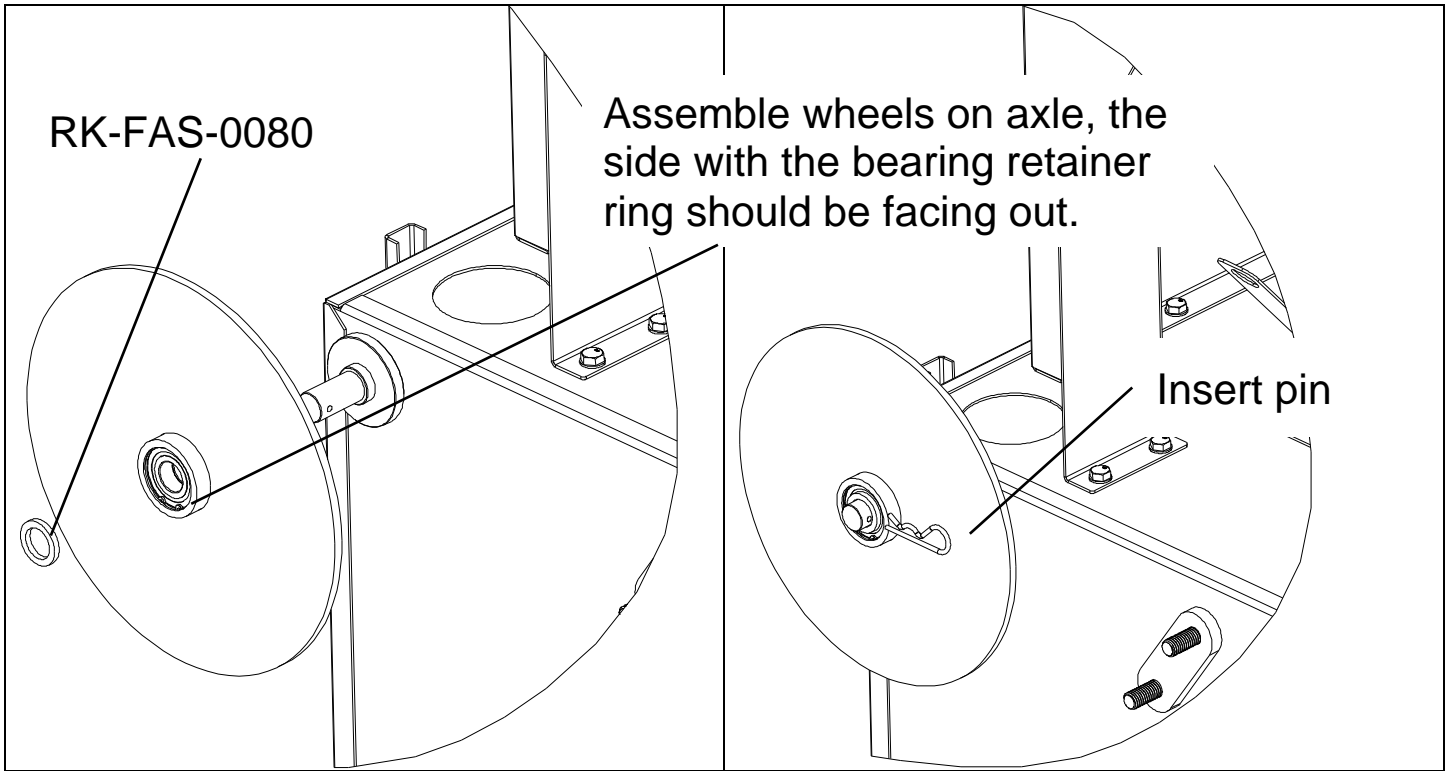
1. Tank Shelf



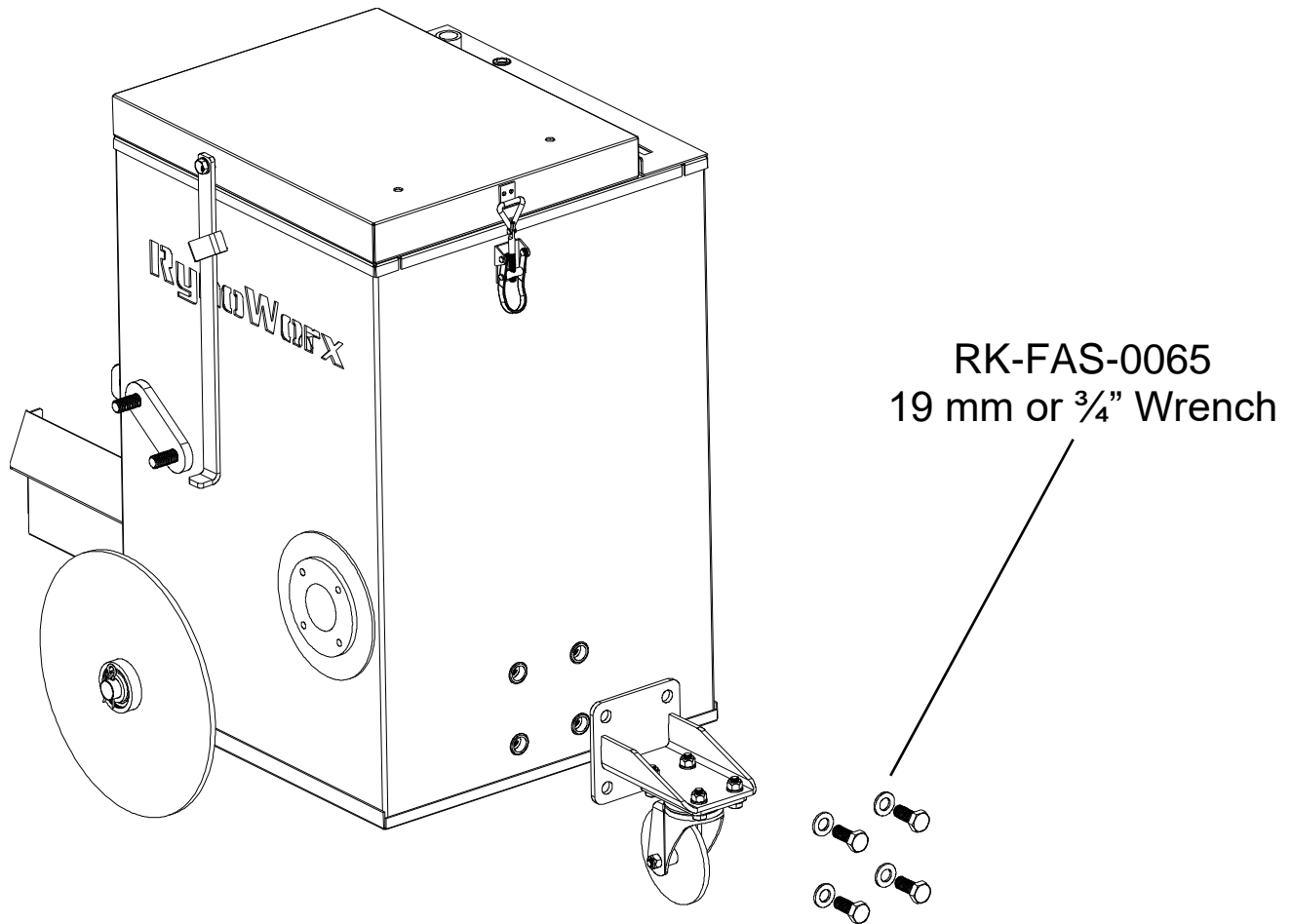
2. Tank Spacer



3. Rear Wheels

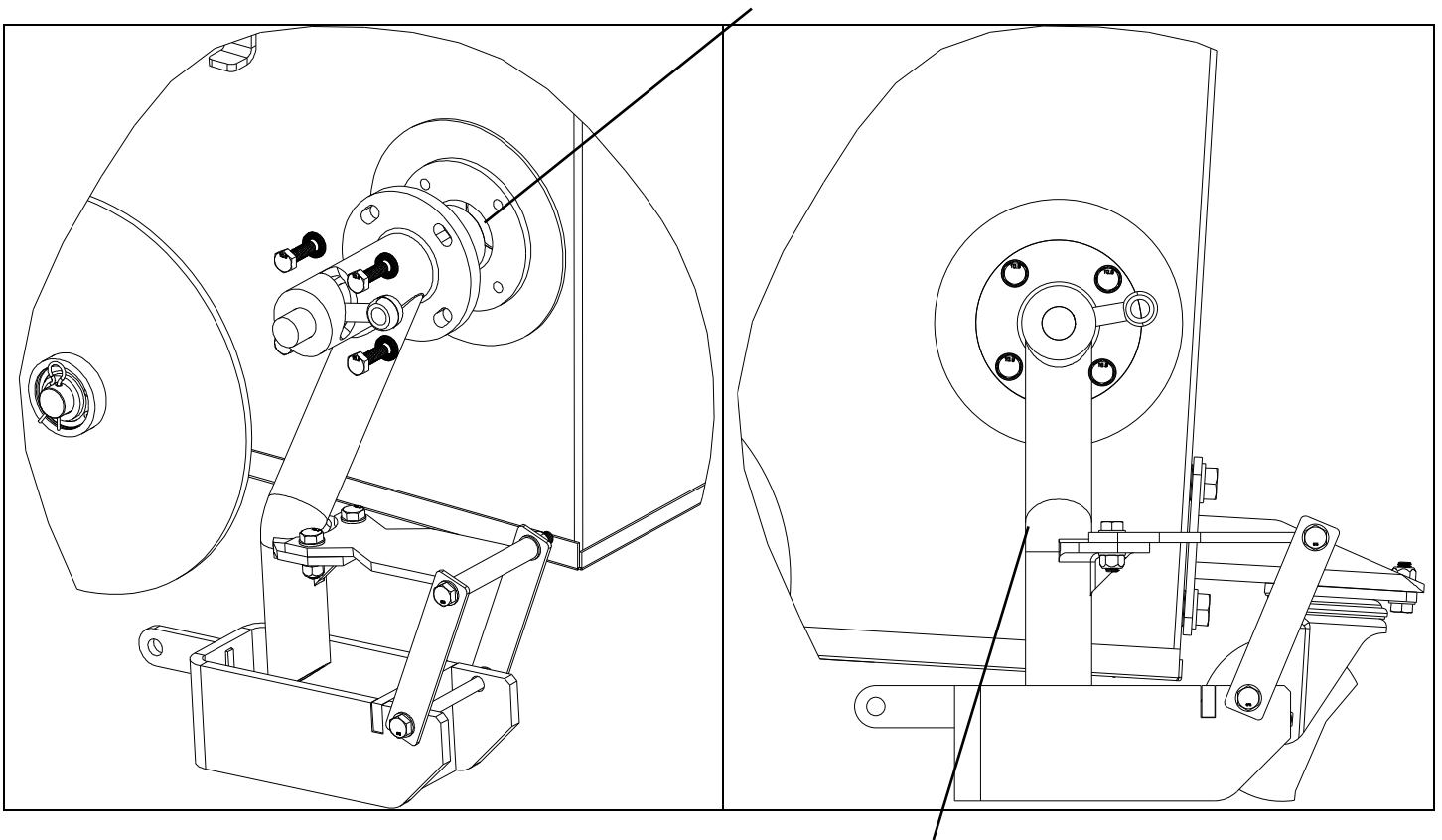


4. Caster

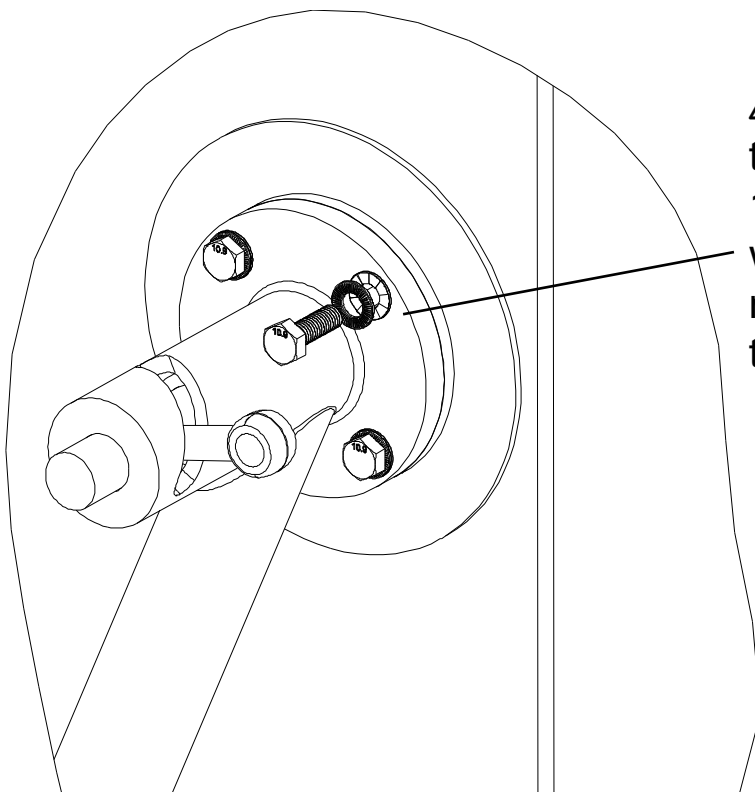


5. Valve and Shoe

RK-FAS-0069
13 mm Wrench



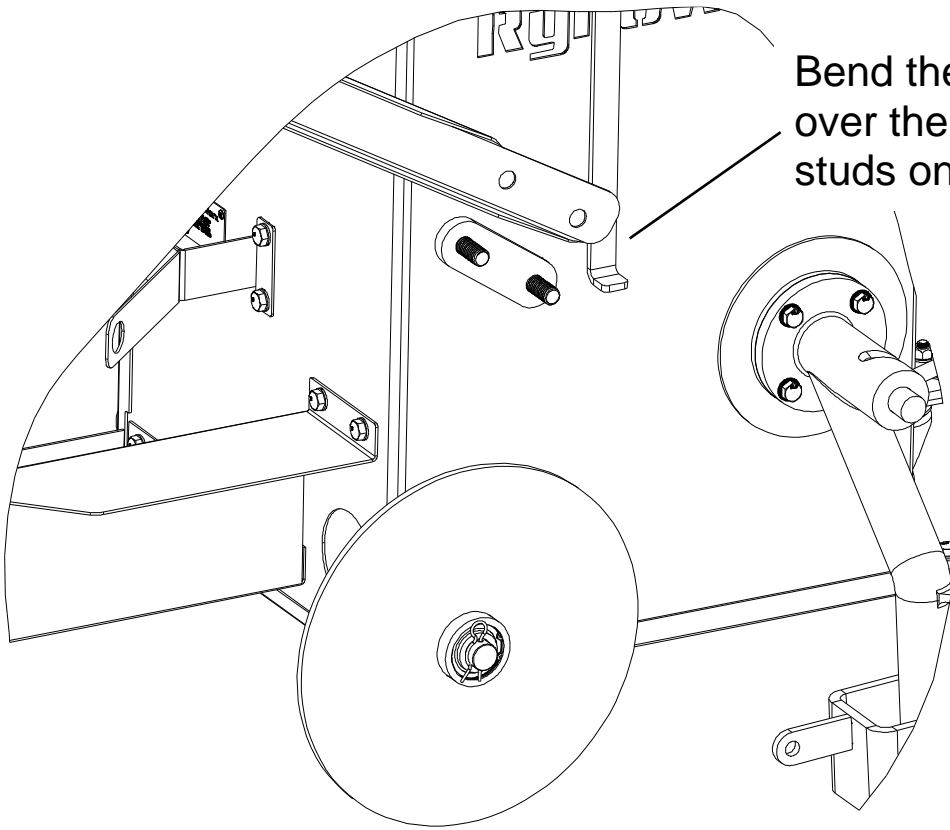
Valve should be aligned so it is perpendicular to the ground before the bolts are tightened



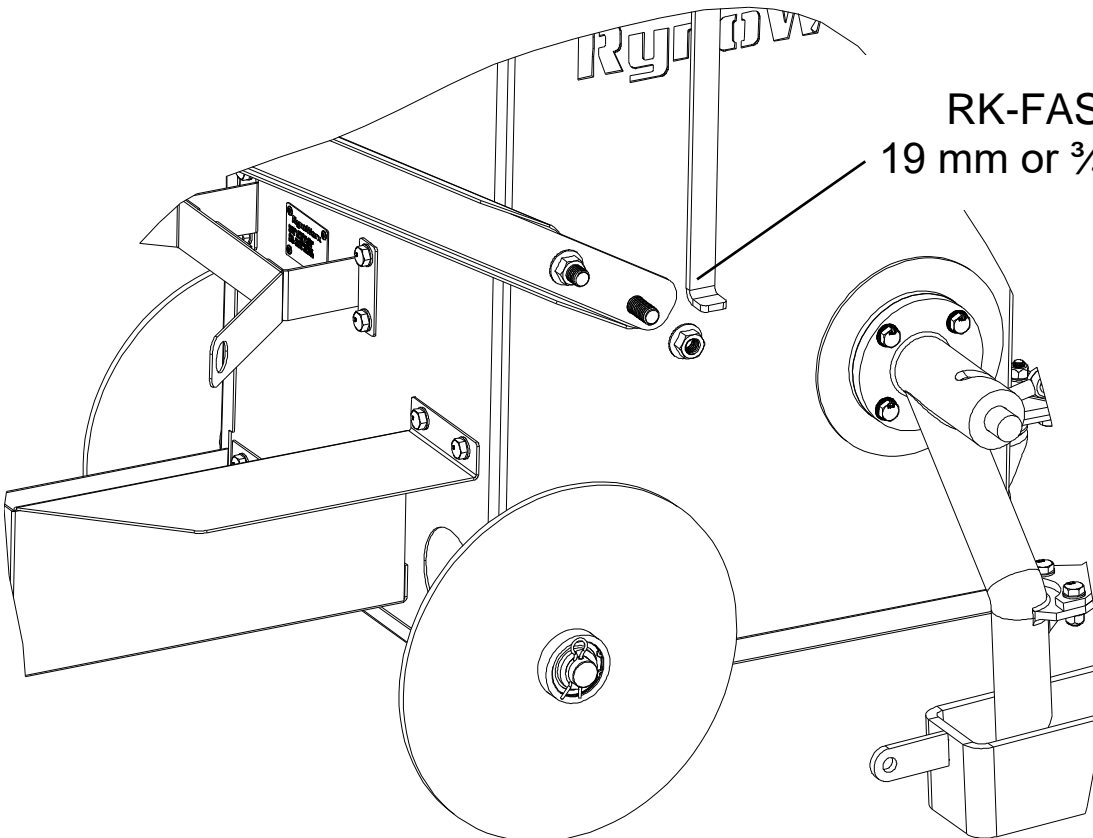
⚠ The lock washers provided for the valve are shipped in pairs. Use 1 pair for each bolt with the wedged surfaces on the washers mated together (same orientation that the washers come paired in).

6. Handle Bars

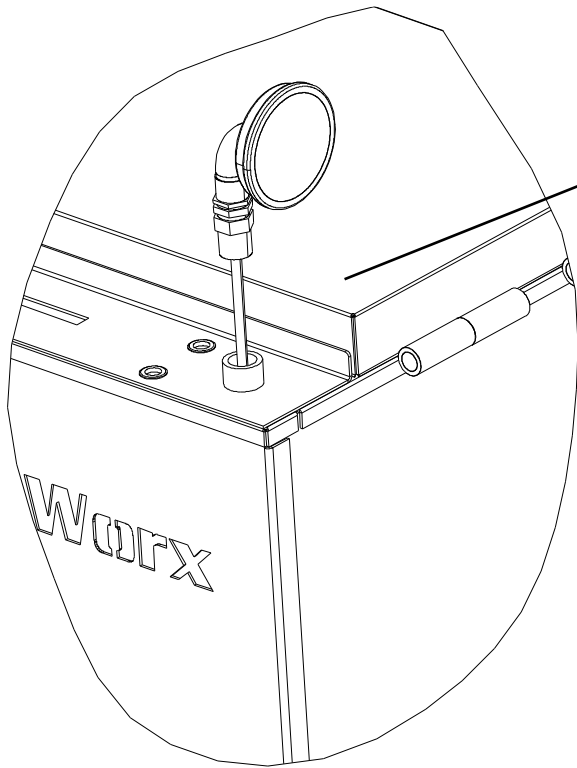
Bend the handle bars
over the mounting
studs one side at a time



RK-FAS-0083
19 mm or $\frac{3}{4}$ " Wrench

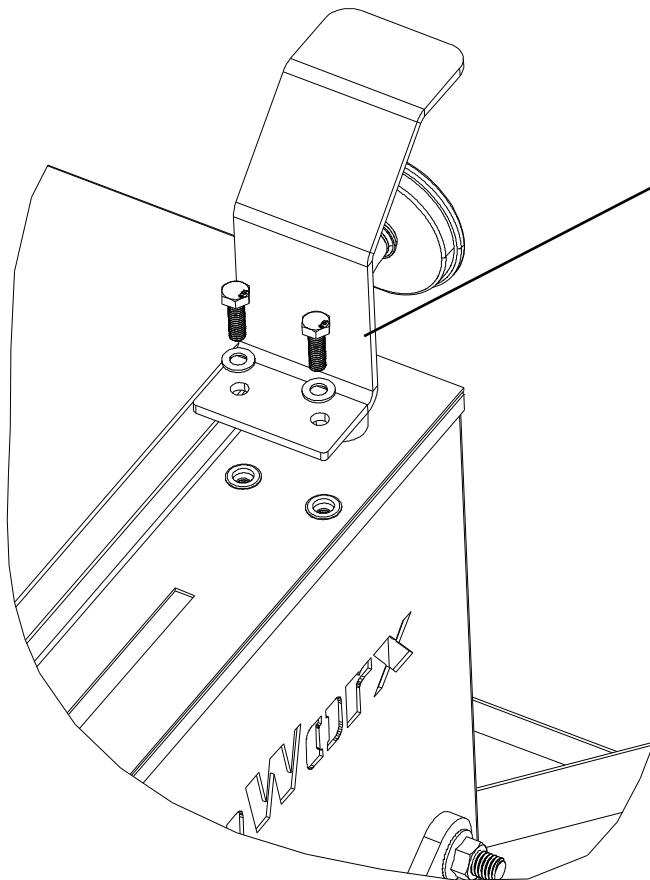


7. Thermometer



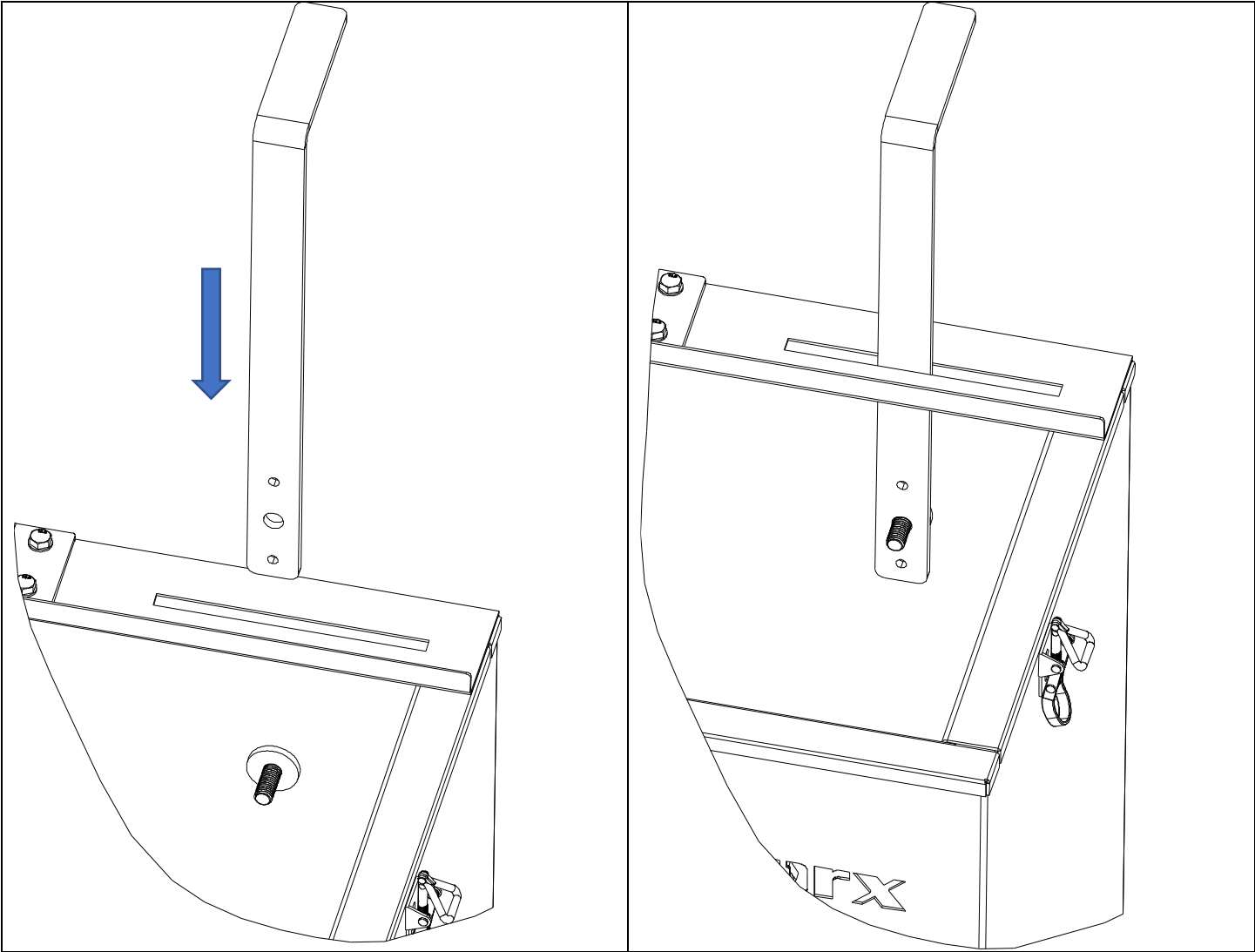
Thread the thermometer
into the kettle

8. Thermometer Guard

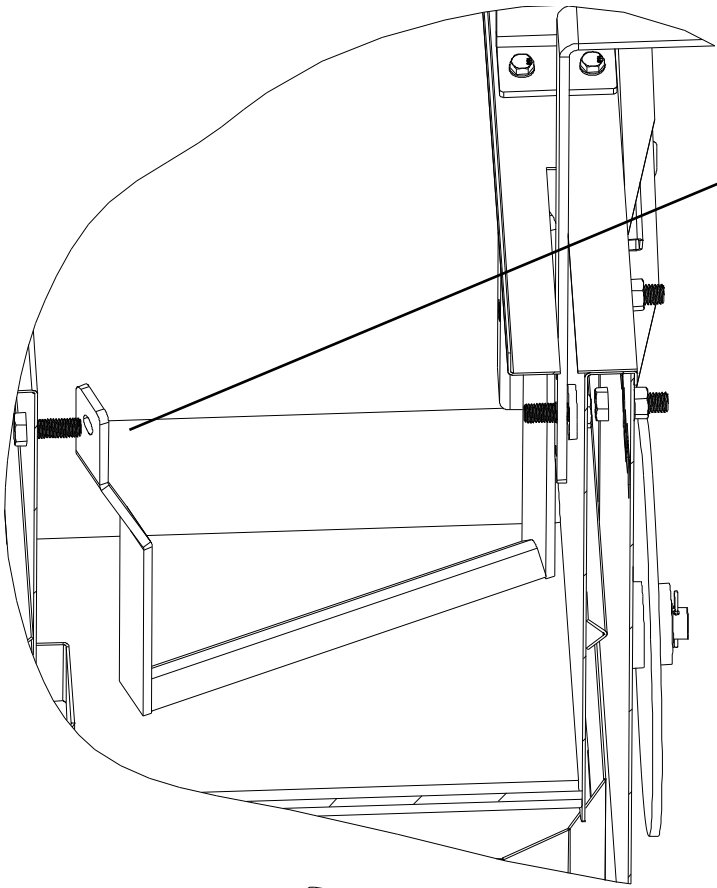


RK-FAS-0071
13 mm Wrench

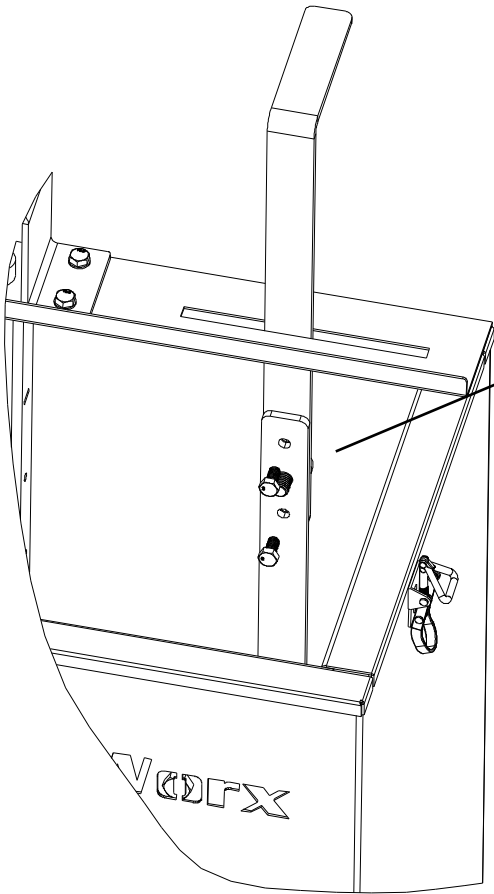
9. Agitation

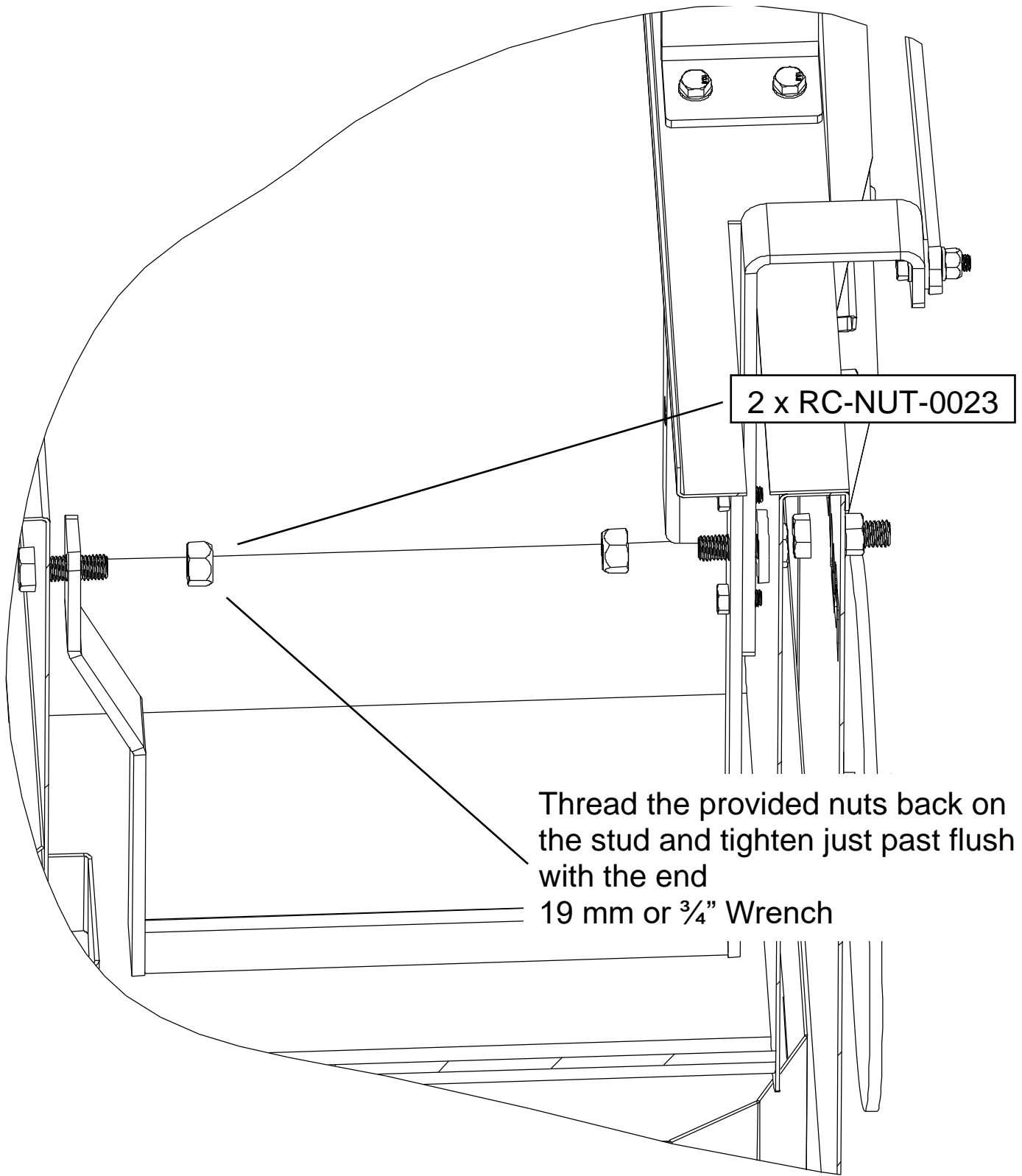


Remove the nuts threaded on the studs and install the agitation sweep bar as shown, put it over the left stud first and then the right



RK-FAS-0071
13 mm Wrench



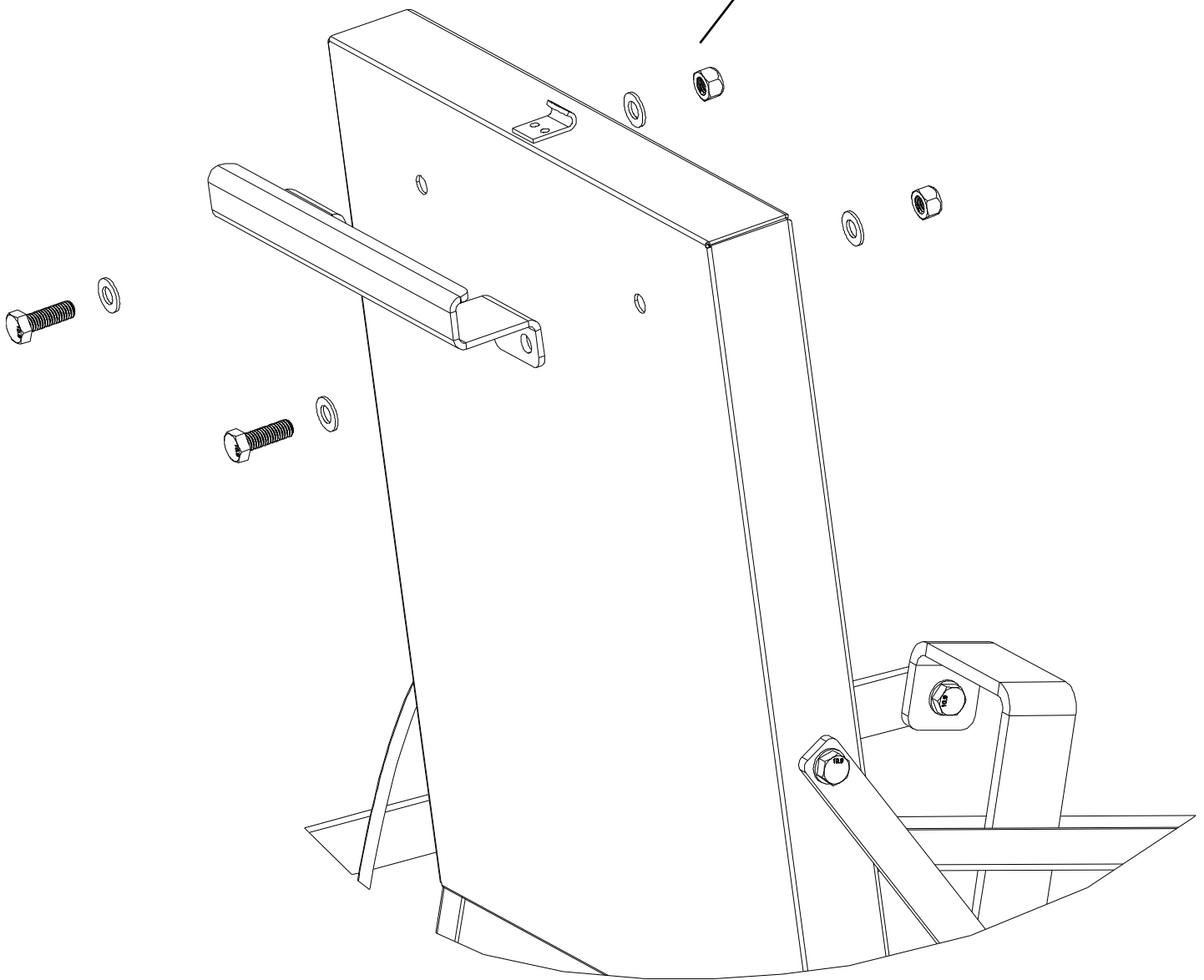


2 x RC-NUT-0023

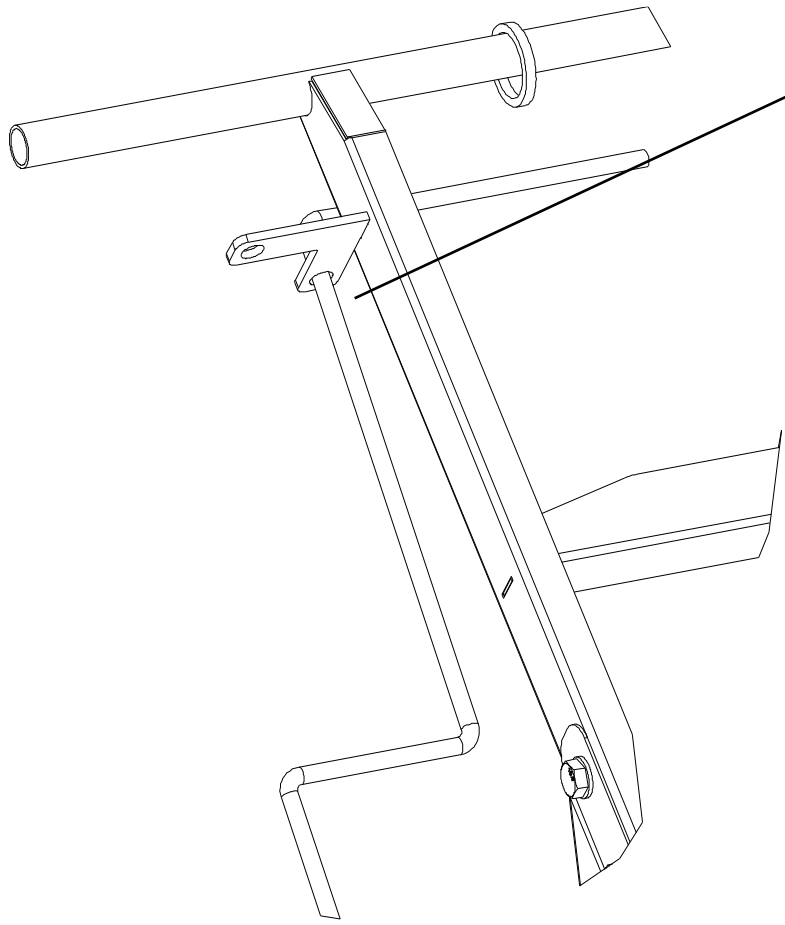
Thread the provided nuts back on the stud and tighten just past flush with the end
19 mm or 3/4" Wrench

10. Lid Handle

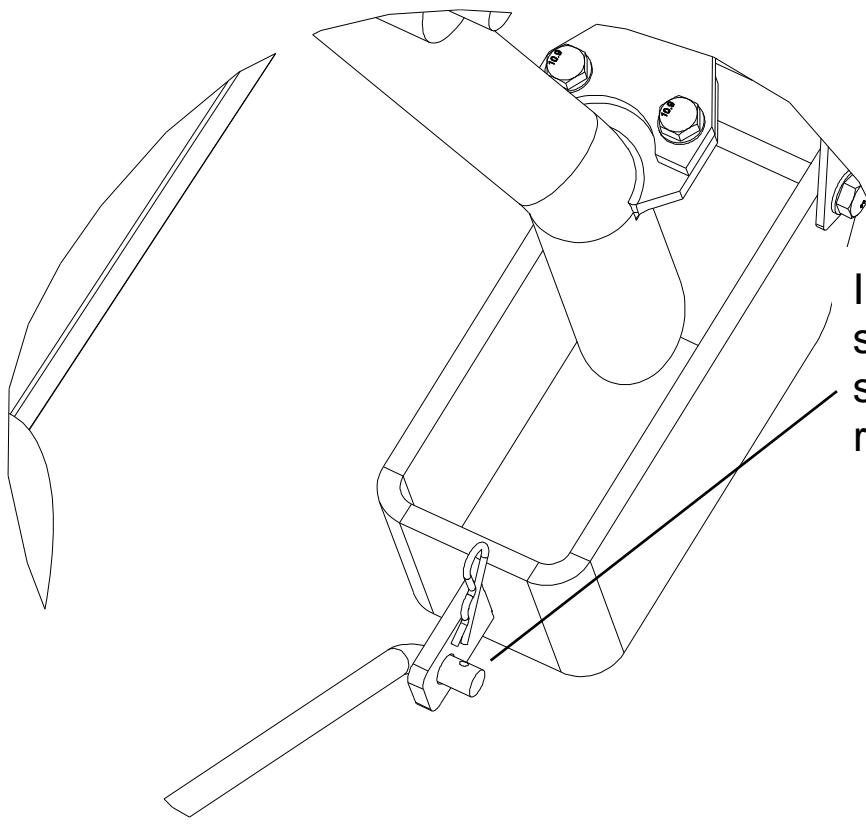
RK-FAS-0070
13 mm Wrench



11. Shoe Control Arm

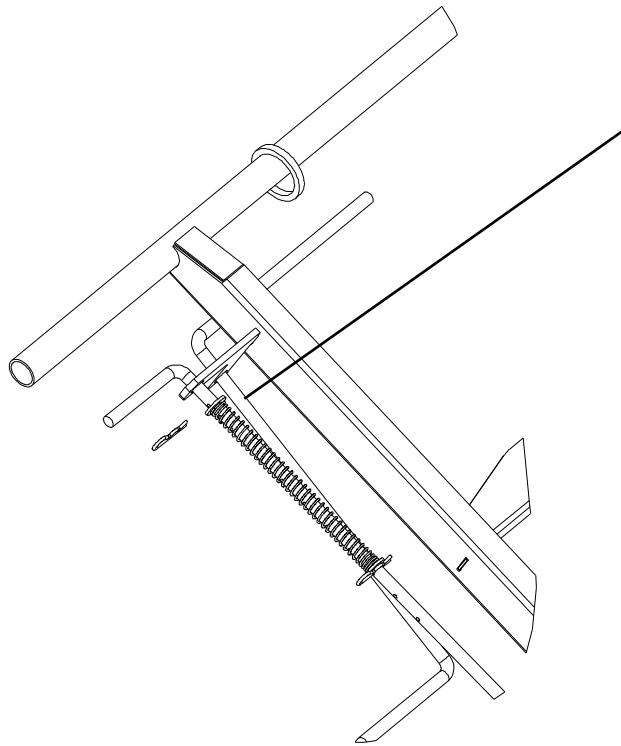


Insert the shoe control handle into the lower guide

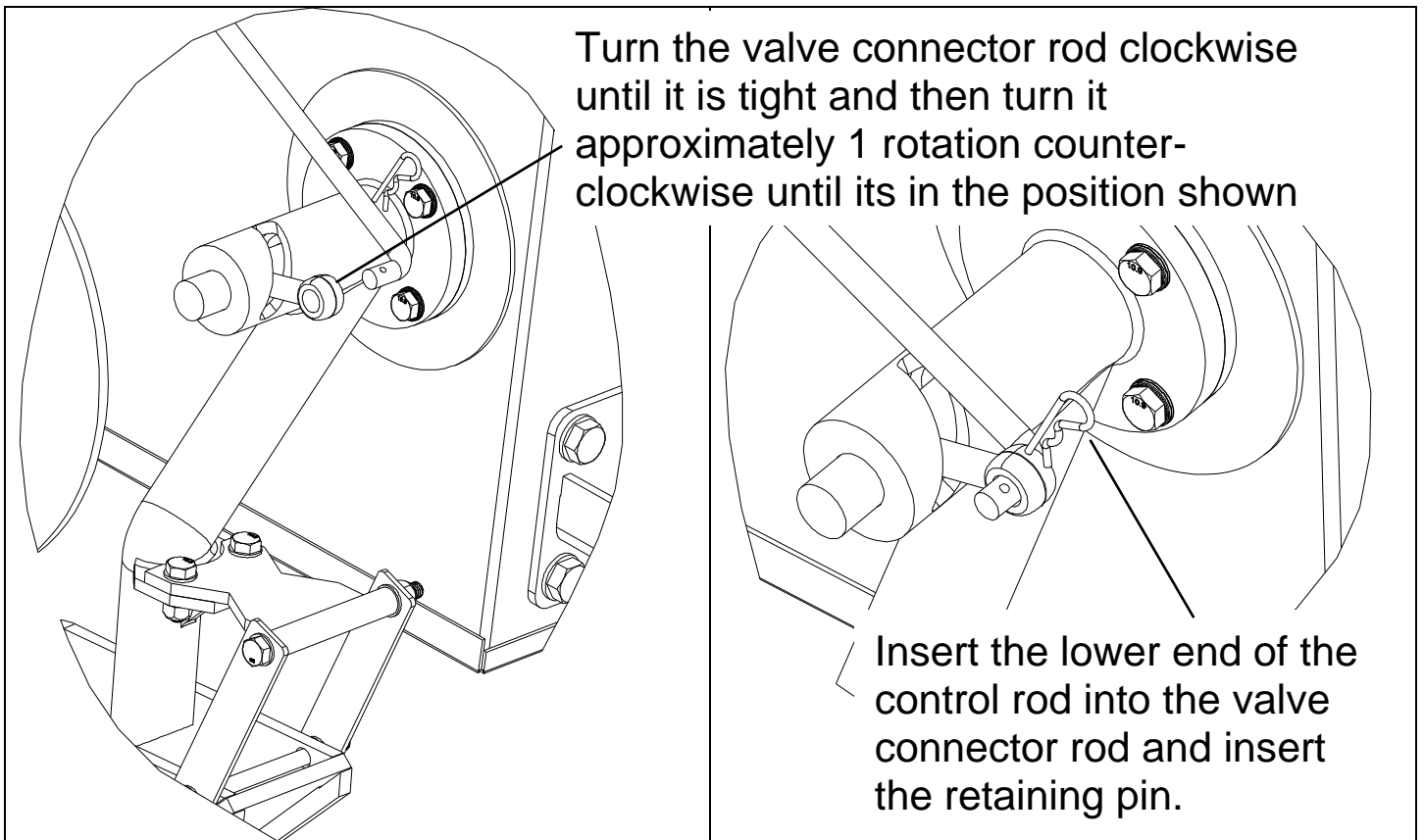


Insert the lower end of the shoe control rod into the shoe tab and insert the retaining pin.

12. Valve Control Arm



Insert the valve control handle into the upper guide and remove the top cotter pin

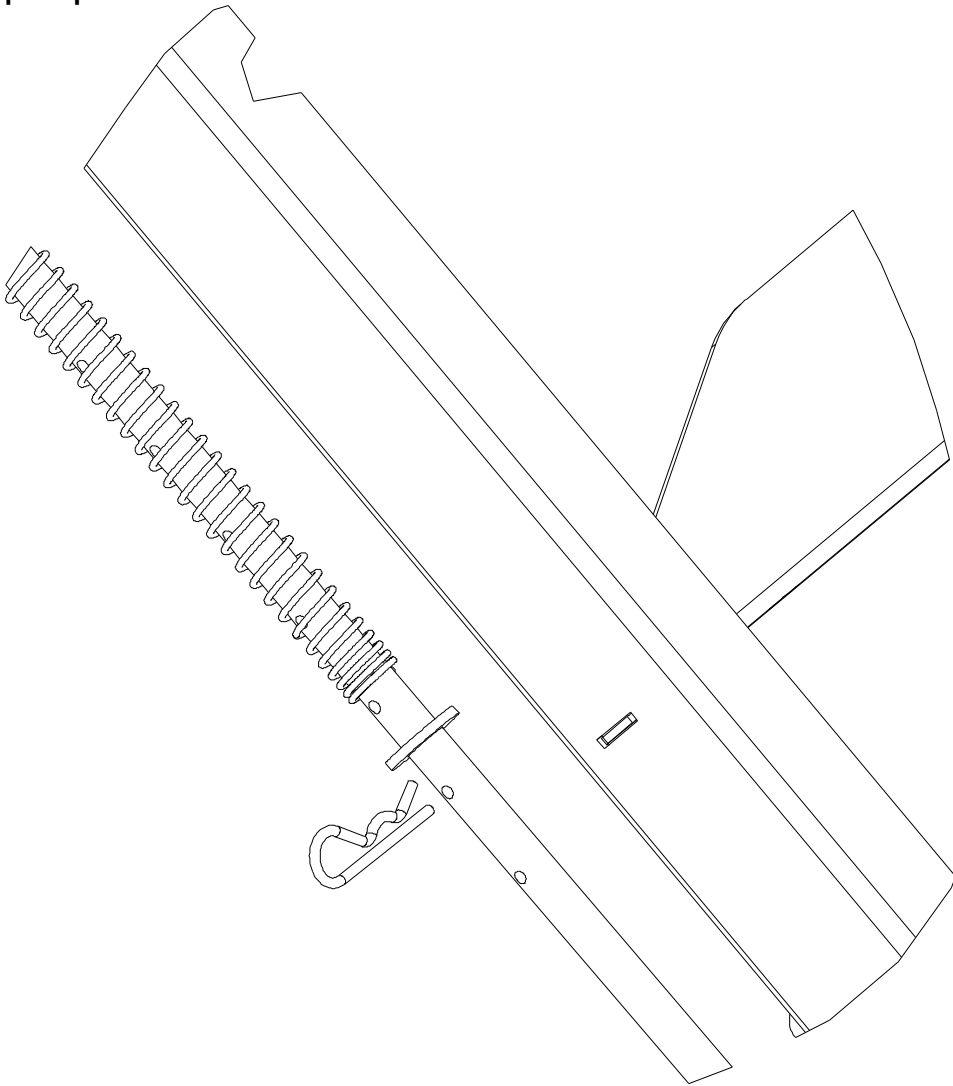


Turn the valve connector rod clockwise until it is tight and then turn it approximately 1 rotation counter-clockwise until its in the position shown

Insert the lower end of the control rod into the valve connector rod and insert the retaining pin.

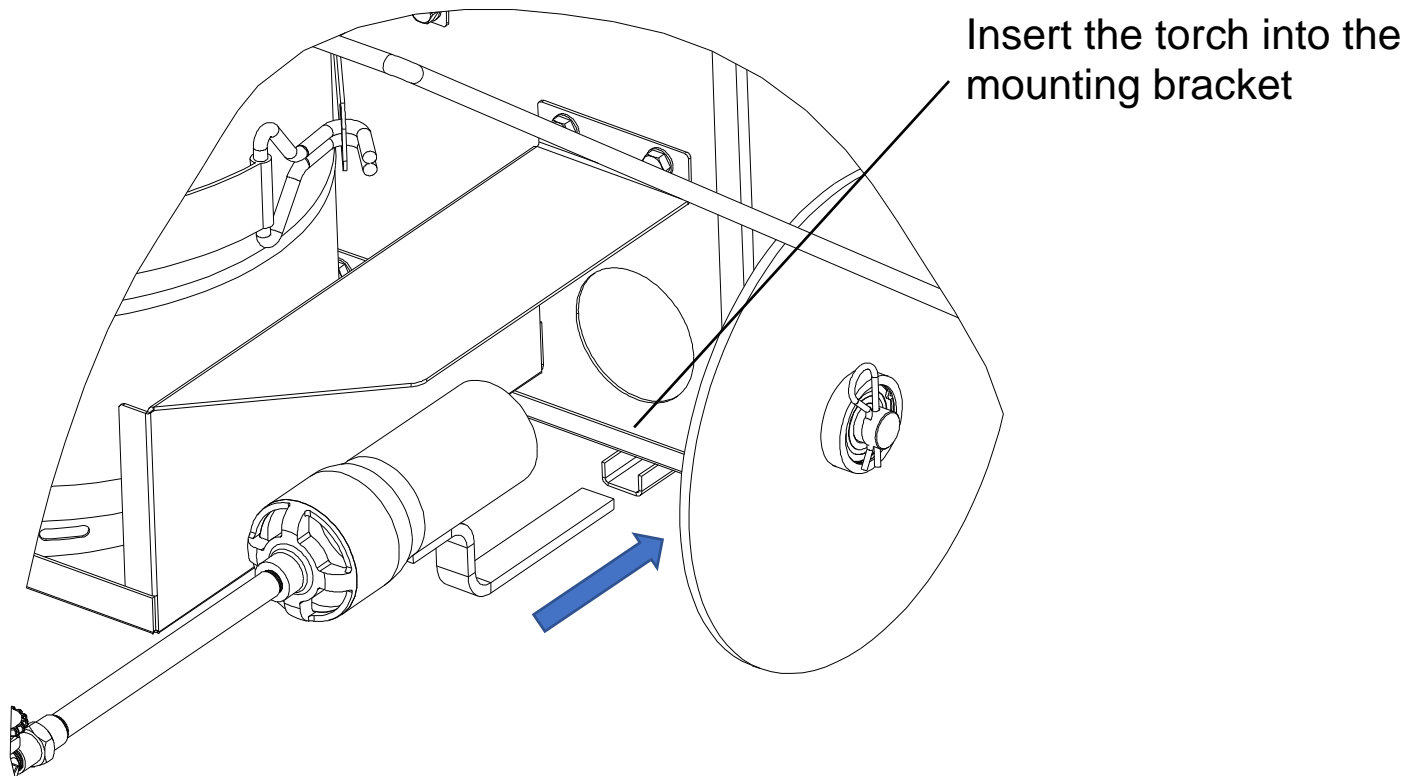
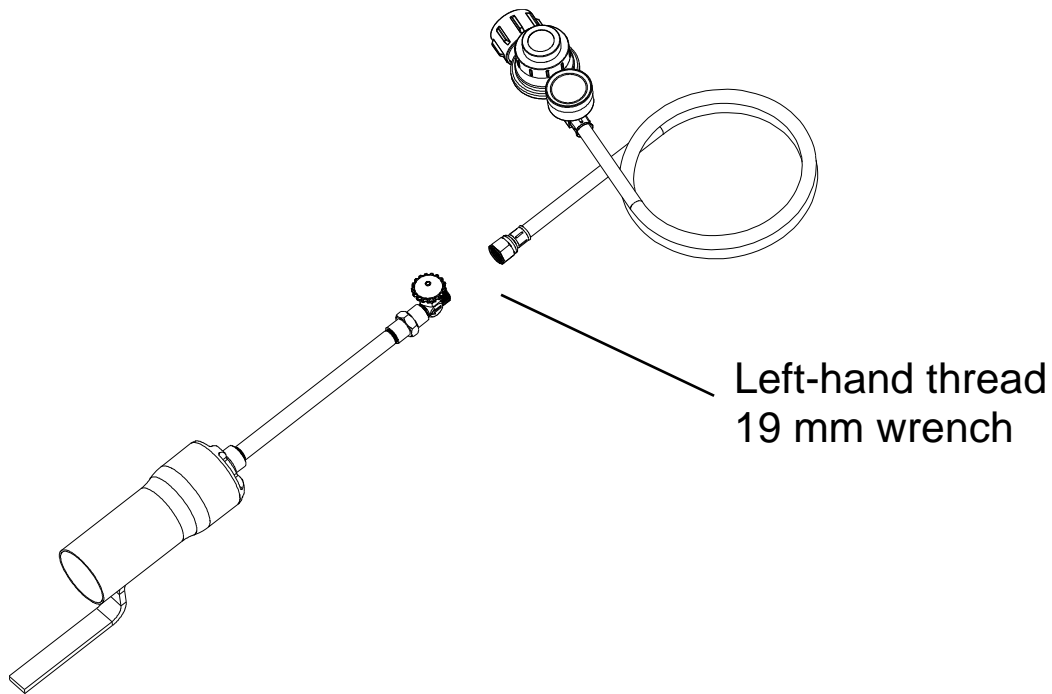
Set Up – Adjust Spring Tension

The spring tension on the valve control arm can be adjusted by setting the pin position shown below which will increase or decrease the spring tension.



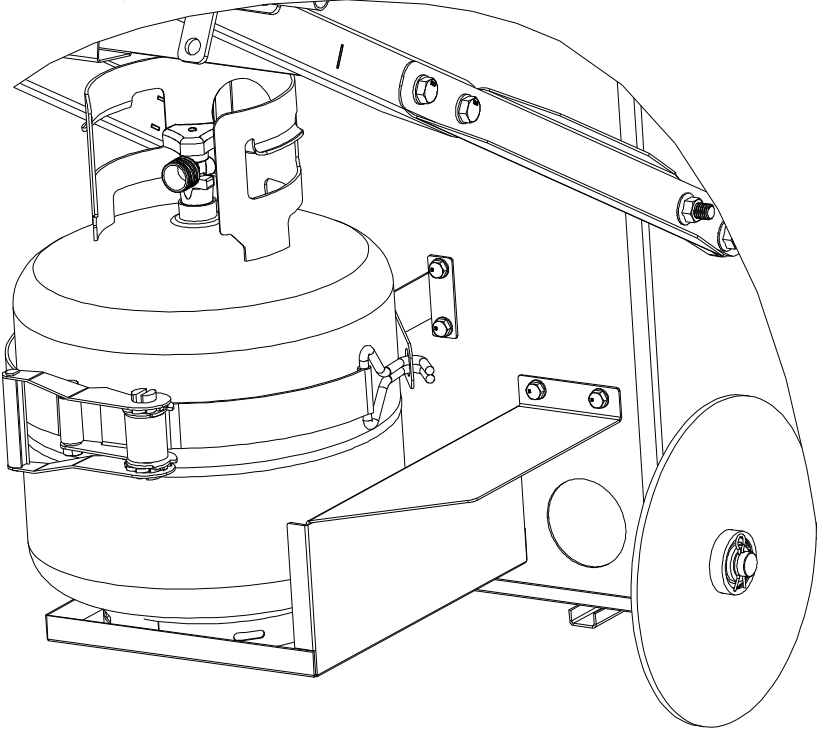
Set Up – Installing the Torch

Connect the torch to the 30 psi adjustable regulator.

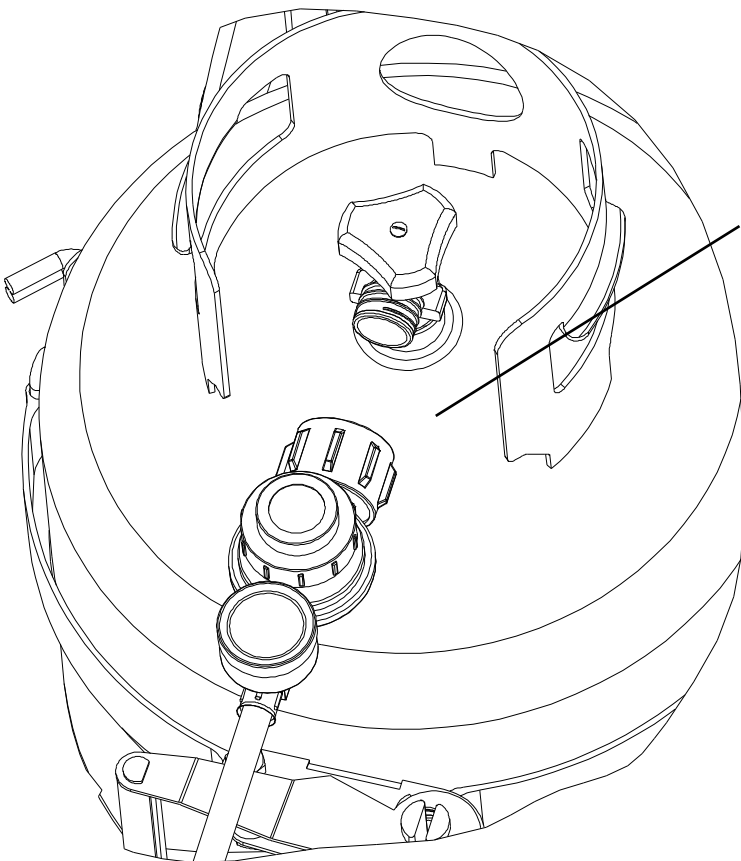


Set Up – Propane tank

Place your propane tank on the shelf and secure with the ratchet strap.



⚠ Only tighten the ratchet strap so that it is snug, do not apply excess force on the brackets



Connect the regulator to the propane tank

- **Operations Guide**

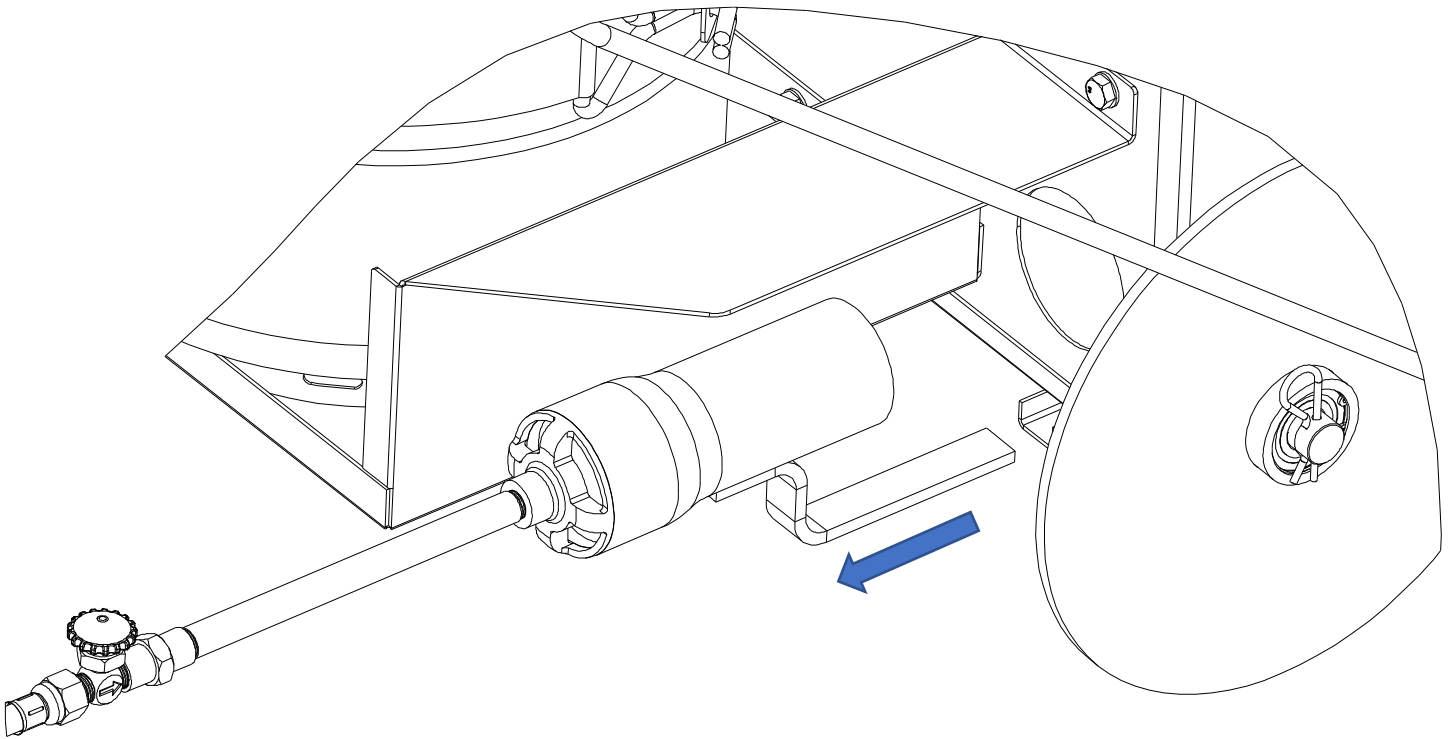
Before beginning please check the following:

1. You have read and understand all warnings on page 2.
2. You are using a new and full propane cylinder (use of a used cylinder can lead to reduced performance or equipment failure).
3. You have inspected your regulator, hose, and burner assembly and verified there are no leaks or physical damage.
4. You are outdoors in a well ventilated area that is free and clear of any flammable matter.
5. You have completed the assembly of the equipment correctly.
6. You have 'Direct Fire' type crack sealant such as GemSeal, SealMaster, Durafill, Crafcro, or Maxwell.
7. There is absolutely NO water in or around the kettle.
8. You are wearing protective eyewear.
9. You are wearing heat and fire resistant protective gloves.
10. You are wearing heat and fire resistant protective clothing which covers all exposed skin.

- **Operation Guide**

Part 1 – How to Load and Light your Melter

1. Ensure your regulator is off by rotating regulator knob fully counter-clockwise (rotate left).
2. Slowly pressurize the regulator by rotating the valve located on the propane cylinder counter-clockwise all the way (rotate left).
3. Inspect and ensure there are no leaks between any of the connections before proceeding.
4. Load crack sealant into kettle, while ensuring sealant is resting on the bottom of the kettle.
5. Remove the torch from the kettle and make sure the valve on the torch handle is fully OPEN by turning it COUNTERCLOCKWISE.



6. Slowly turn the regulator knob a few times CLOCKWISE so that the propane starts to flow.
7. Use a striker or long BBQ lighter to light the torch.
8. Adjust the flame by adjusting the fuel pressure on the regulator and return the torch to the torch holder.

⚠ Operating the torch on high in most conditions is not recommended and this can easily overheat the material.

⚠ Never exceed the manufacturer's recommended material maximum temperature.

- **Operation Guide**

Part 2 – Agitating and Monitoring Temperature

1. Never leave melter unattended when the torch is lit. If flame goes out, promptly turn off the flow of gas; double check that the melter is free and clear of any gas odors before attempting to re-ignite the torch.
 2. While your melter is ignited you should continuously be monitoring the material temperature. Check with crack sealant manufacture for safe melting temperatures and ensure you continually adjust your regulator to maintain the recommended temperature range. If the material becomes too hot, you may need to turn off your torch periodically.
 3. As material begins to melt, it's important to consistently agitate. Agitation moves the solid crack sealant along the bottom and prevents 'hot spots' from forming which can alter the effectiveness of the sealant after applied. Agitation also prevents chunks of over-heated material from forming which will eventually plug or block your flow valve which can slow down the applications process.
-

Part 3 – Dispensing Crack Filler

Once you have effectively liquefied the crack sealant, you may begin applying it. For best results, the surface should be clean and free of dirt, debris and vegetation. Ensure shoe is lowered and resting on the pavement. Push melter into position, aligning the crack you wish to fill with the center of the shoe. Slowly squeeze the valve control arm until crack filler begins to come out of the valve and onto the crack. Slowly push the melter forward, keeping the crack aligned with the center of the shoe. Increase speed of the material flow by squeezing harder on the valve control arm. If material flow slows, check to ensure that you have enough melted material in the kettle and agitate to keep the flow tube clear.

Part 4 – Turning Off and Draining

Once you have finished using the melter, make sure it is fully drained and no crack filler remains inside the kettle or the flow valve. Leaving the flow valve empty after use will prevent the valve from being blocked the next time you use the melter.

- **Maintenance Guide**

Periodic Maintenance

This melter / applicator requires periodic maintenance before each use and at set intervals in order to ensure it is performing safely and optimally. The table below describes checks and maintenance which are recommended.

Description	Before Each Use	Every 25 Hours	Every 75 Hours
Check Propane Tank fuel level, refill as needed	X		
Inspect regulator and hose for physical damage or leaks	X		
Inspect front caster wheel, apply grease and tighten fasteners as required	X		
Inspect thermometer for physical damage or malfunctions	X		
Heat up the valve with a heating torch to remove any residual material build up		X	
Remove and thoroughly clean control valve			X

• **Troubleshooting Guide**

Below we have provided a common problems and solutions table. Be sure to consult this table should you experience any technical problems.

Description of Problem	Possible Causes	Known Solutions
The torch will not ignite or the torch will not stay lit	1) The fuel level could be too low 2) The propane cylinder valve could be partially or fully closed, which can restrict fuel flow 3) The pressure regulator valve may be in the off position or may not be providing sufficient fuel flow	1) Check and refill your fuel tank 2) Ensure your fuel valve is fully open. You can do this by turning the knob fully counter-clockwise 3) You may increase the pressure from the regulator by turning the knob clockwise
Torch will not stay lit	1) The fuel level may be too low 2) The fuel tank valve or torch valve may not be fully open and therefore restricting fuel flow, or your regulator may not be providing enough pressure 3) The wind may be blowing out the flame.	1) Refill your fuel tank 2) Ensure your fuel tank valve and torch valves are fully open and use your regulator to increase or decrease flame strength 3) Move equipment to a less windy area or try turning equipment so that the torch is not facing the wind
Crack filler is melting really slowly	1) Incorrect crack sealant being used 2) Torch is not providing enough heat to melt the crack sealant 3) The temperature outside is cooler than normal slowing down the melting process 4) The wind is continuously blowing out your flame, not allowing your machine to build heat quickly	1) Double check that your using an approved crack sealant for use in direct-fire melters 2) Increase the fuel to your torch 3) No solutions, melting takes longer on cooler days 4) Move equipment to a less windy area or try turning equipment so that the torch is not exposed to the wind