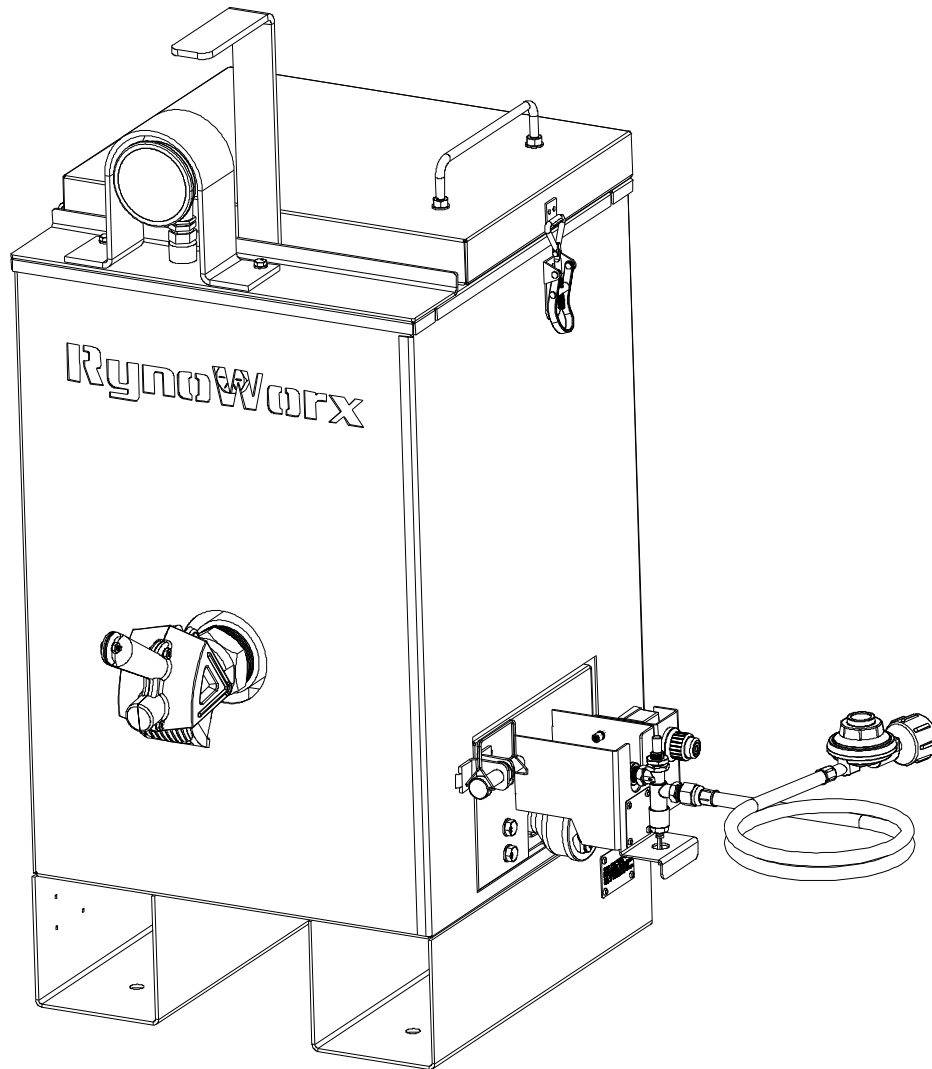


RynoWorx

Operator's Manual



Model: RY10MK-PRO-V3

MPN: RA-MLT-0009

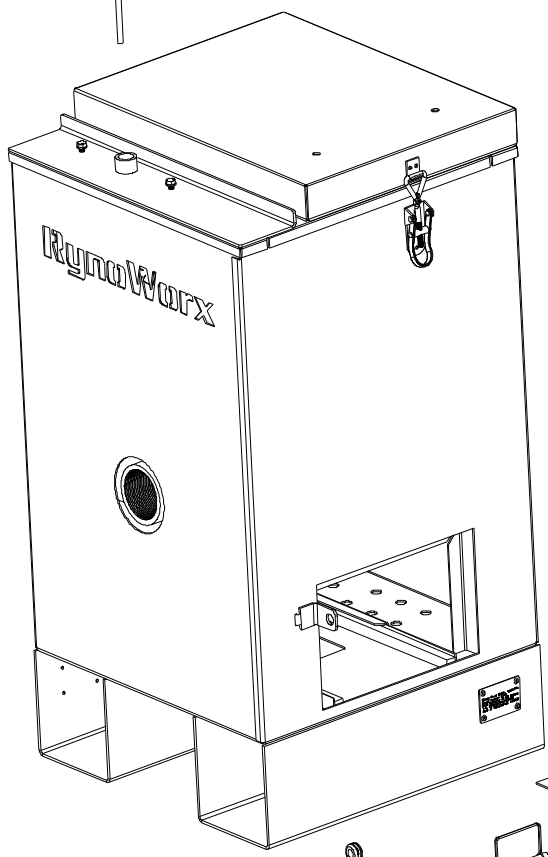
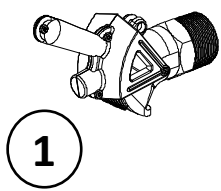
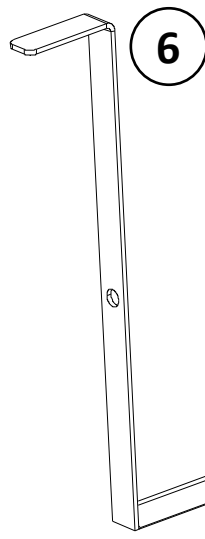
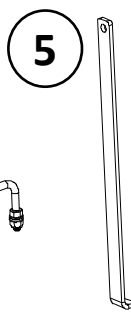
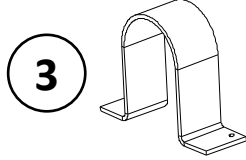
10 Gallon Direct Fire Melter Kettle
Burner Model with Adjustable Flame-Out Valve

U.S. Patent No. 9,739,021

WARNING

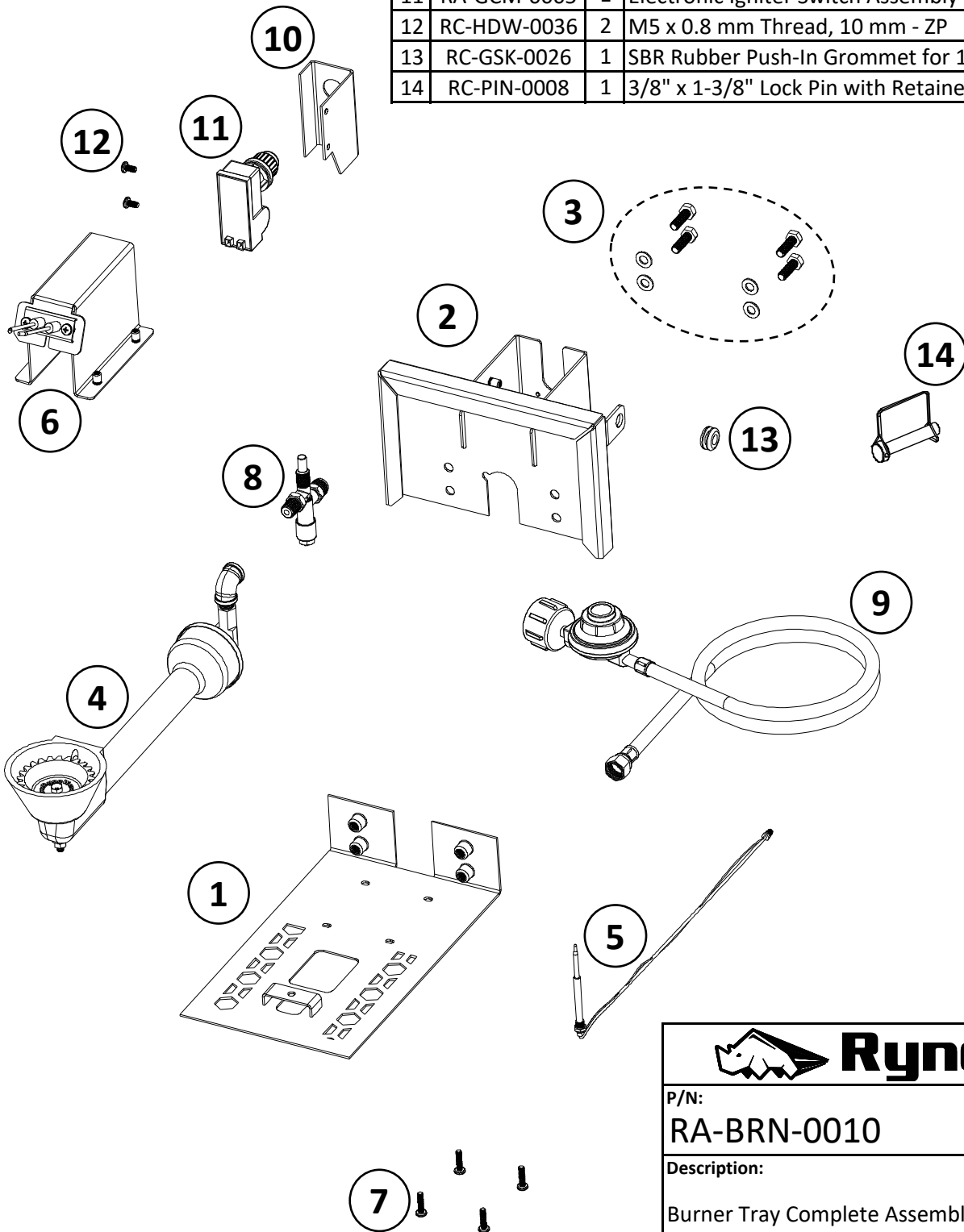
- ⚠ Read all instructions and warnings in this manual before attempting to operate this equipment.
- ⚠ This equipment is designed for outdoor use only.
- ⚠ This equipment gets hot during normal operation, do not mount this equipment on or near any combustible surfaces.
- ⚠ Be sure to always wear personal protective equipment when operating this equipment.
- ⚠ Improper assembly may be dangerous. Please follow the assembly instructions in this manual. Make sure all parts are assembled and hardware is fully tightened before using. Make sure that there are no leaks in the liquid propane cylinder connection or lines.
- ⚠ Do not operate this equipment if a gas leak is present.
- ⚠ Do not operate this equipment while mounted on a moving vehicle.
- ⚠ Do not store spare liquid propane cylinders within 10 feet (3m) of this equipment.
- ⚠ Inspect the gas lines and connections before every use. Do not use this equipment if these components are damaged or worn.
- ⚠ Do not attempt to disconnect the gas regulator from the tank or any gas fitting while the equipment is in use.
- ⚠ A dented or rusty liquid propane tank may be hazardous and should be checked by your liquid propane supplier. Do not use a liquid propane tank with a damaged valve.
- ⚠ Before servicing, make sure the unit is fully cooled and the liquid propane cylinder is disconnected.
- ⚠ Only genuine Ryno Worx replacement parts should be used for any replacements or repairs. Do not attempt to modify or alter this product in any way.
- ⚠ Keep a fire extinguisher approved for oil fires on hand when using this equipment. If flashing occurs NEVER use water to put out the fire.
- ⚠ Do not attempt to make any repairs to gas carrying, gas burning, igniter components or structural components. Your actions, if you fail to follow this warning, may cause a fire, an explosion, or structural failure resulting in serious personal injury or death as well as damage to property.
- ⚠ This equipment should only be used with "Direct Fire" hot melt crack sealant. Consult the directions provided by the crack sealant manufacturer and never exceed their recommended heating temperature.
- ⚠ Failure to follow these instructions could result in fire or explosion which could cause property damage, personal injury or death.


No	P/N	Qty	Description
1	RA-VLV-0003	1	2" NPT Molasses Valve Assembly
2	RC-GCM-0010	1	Thermometer - 14" Probe - Shock Proof Liquid Filled
3	RC-FAB-0010	1	Thermometer Guard Bracket
4	RA-BAS-0054	1	Removable Lid Handle - RY10MK-PRO - Lav
5	RC-FAB-0101	1	Melter Lid Support Slider
6	RC-FAB-0087	1	Agitation Sweep Bar - RY10MK-PRO-V1
7	RC-GSK-0026	1	SBR Rubber Push-In Grommet for 1/2" ID and 3/32"
8	RC-PIN-0008	1	3/8" x 1-3/8" Lock Pin with Retainer
9	RA-BRN-0010	1	Burner Tray Complete Assembly - 5 psi Kettle Burner



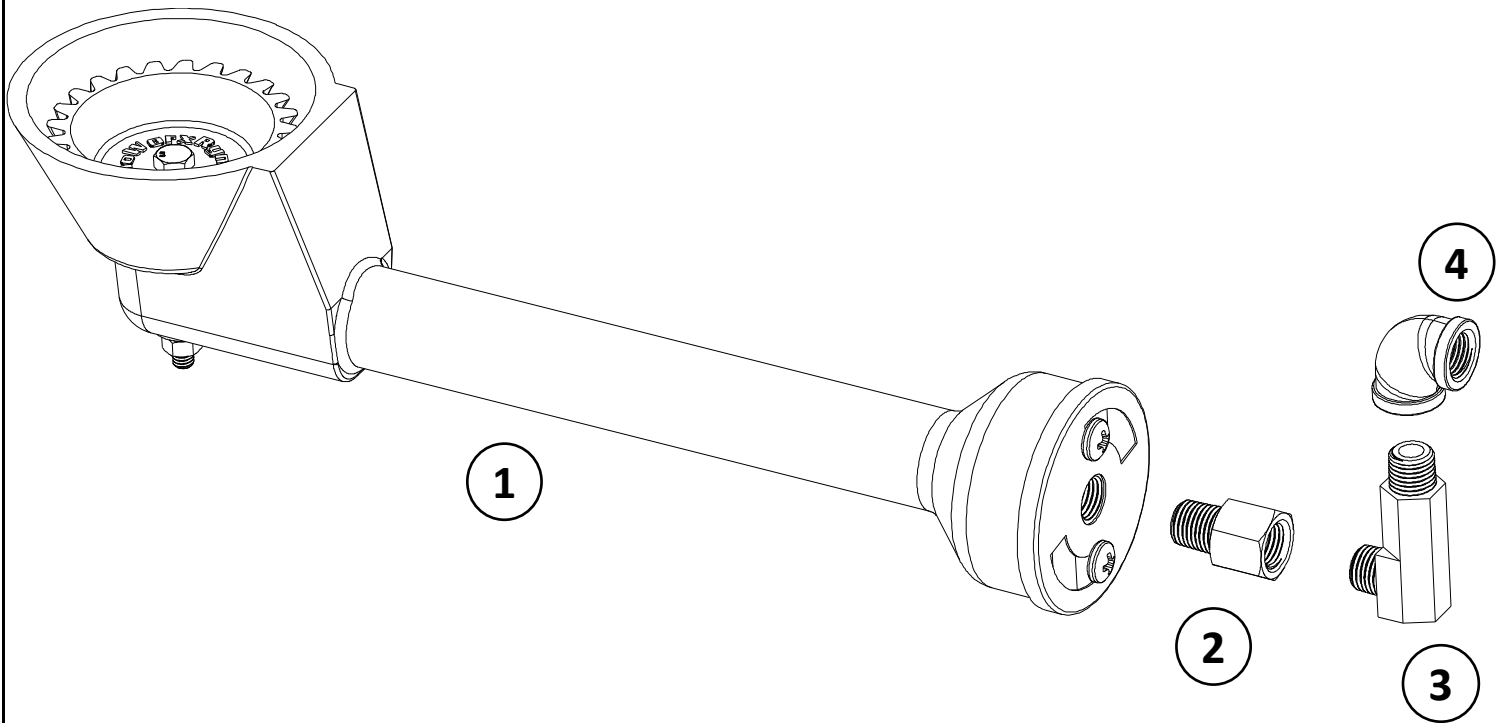
P/N:	Model	Rev:
RA-MLT-0009	RY10MK-Pro-V3	1
Description:		
RY10MK-Pro Crack Fill Melter Kettle - Version 3		


No	P/N	Qty	Description
1	RC-FAB-0165	1	Burner Tray MK-HP - Tray
2	RC-FAB-0166	1	Burner Tray MK-HP - Door
3	RK-FAS-0085	1	Fastener Kit - Burner Tray Door - Kettle
4	RA-BRN-0007	1	Cast Iron Burner - 11.5" with Fittings (1/4" NPT)
5	RC-TPL-0002	1	Thermocouple - Pro - 54 cm wires
6	RA-BAS-0075	1	Igniter Sub-Assembly - Kettle (37 cm wire)
7	RC-HDW-0042	4	Pan Head Phillips - M5x0.8 mm x 20 mm Long
8	RA-VLV-0019	1	Flame Out Valve Assembly - CSA - 30 psi w Flare Fittings
9	RC-REG-0003	1	5 Psi Adjustable Regulator - 200 cm Hose with 3/8" Flare Fitt
10	RC-FAB-0141	1	Igniter Bracket - MA-V4
11	RA-GCM-0005	1	Electronic Igniter Switch Assembly
12	RC-HDW-0036	2	M5 x 0.8 mm Thread, 10 mm - ZP
13	RC-GSK-0026	1	SBR Rubber Push-In Grommet for 1/2" ID and 3/32"
14	RC-PIN-0008	1	3/8" x 1-3/8" Lock Pin with Retainer



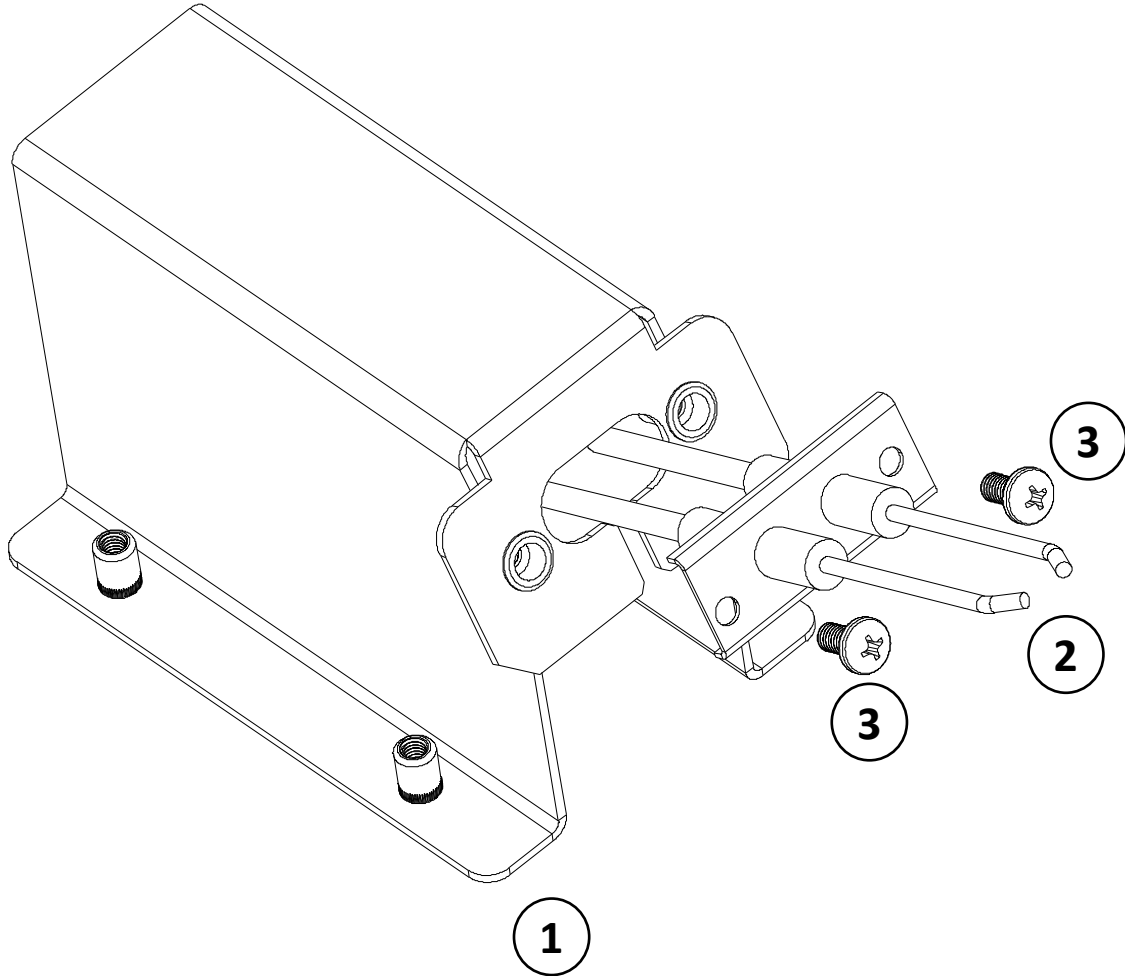
 RynoWorx	
P/N: RA-BRN-0010	Rev: 1
Description: Burner Tray Complete Assembly - 5 psi Kettle Burner	


No	P/N	Qty	Description
1	RA-BRN-0005	1	Cast Iron Burner Assembly - 11.5"
2	RC-FIT-0080	1	Brass Fitting - 1 mm Orifice - 1/4" NPT M-F
3	RC-FIT-0081	1	Brass Fitting - 90° 1/4" NPT M-M - 42.75 mm
4	RC-FIT-0083	1	Brass Fitting - 90° 1/4" NPT F-F



 RynoWorx	
P/N: RA-BRN-0007	Rev: 1
Description: Cast Iron Burner - 11.5" with Fittings (1/4" NPT)	

No	P/N	Qty	Description
1	RC-FAB-0167	1	Burner Tray MK-HP - Igniter Mount
2	RC-IGN-0002	1	Igniter Electrode Probe with Wires - Pro (37 cm)
3	RC-HDW-0036	2	M5 x 0.8 mm Thread, 10 mm - ZP



 RynoWorx	
P/N: RA-BAS-0075	Rev: 1
Description: Igniter Sub-Assembly - Kettle (37 cm wire)	

- **Introduction**

Forward

Thank you very much for purchasing Ryno Worx crack maintenance equipment. We pride ourselves in being different from other equipment manufacturers with a relentless focus on innovation, simplicity, and quality.

This melter was designed to be used with 'Direct Fire' crack sealants only. Please be sure to purchase the correct material to ensure safe and effective operation.

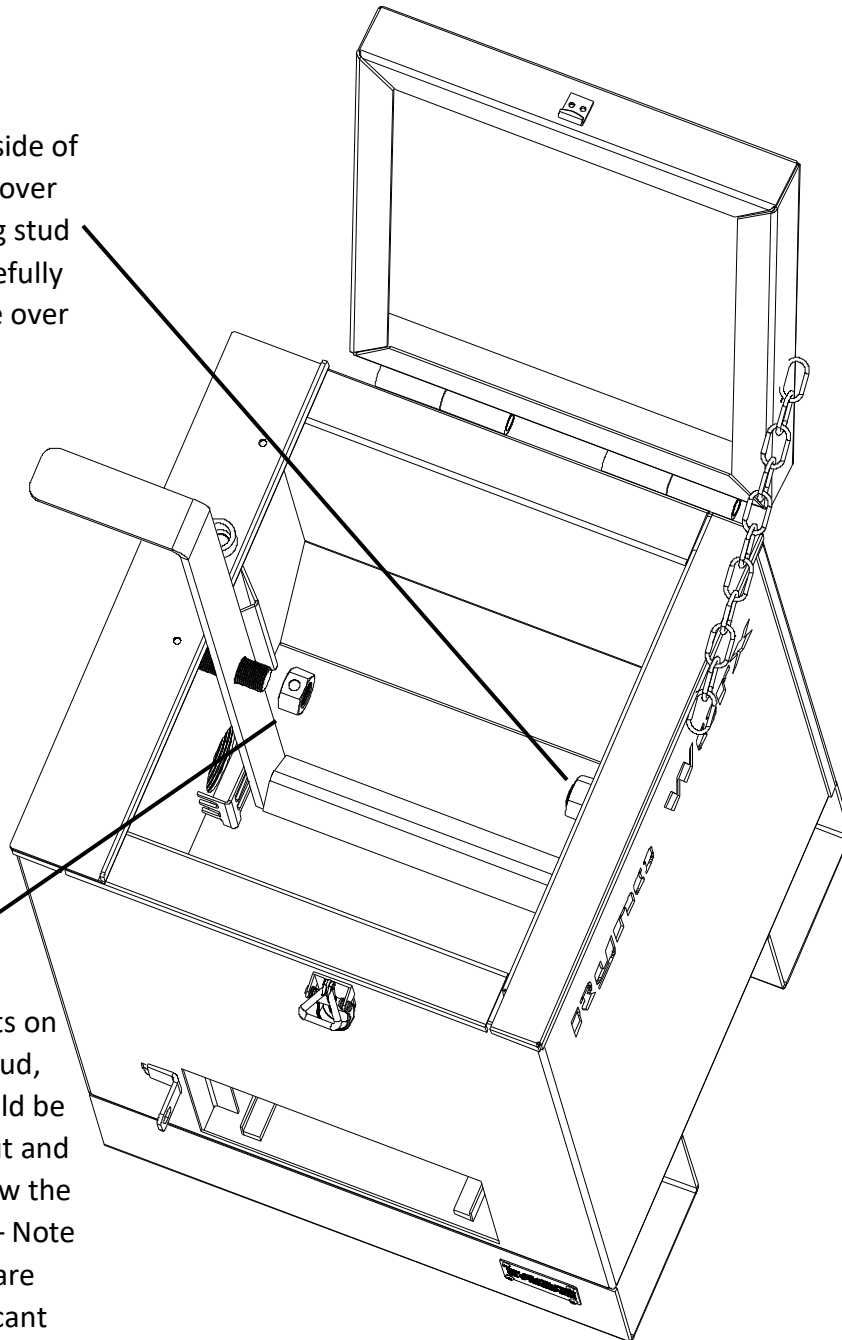
Within this document are complete instructions for how to assemble, use and care for your equipment. Please make sure you read and follow all instructions provided.

Within this document you will find the following resources:

- **Assembly Instructions** – These instructions will assist you in assembling and preparing your melter for first time use.
- **Operation Guide** – This guide will explain the functions and controls of the melter and how to use them.
- **Maintenance Guide** – This guide will provide you with suggested maintenance tips and techniques to ensure proper function and optimal performance.
- **Troubleshooting Guide** – This guide will provide you with the most commonly reported problems, possible causes, and known solutions.

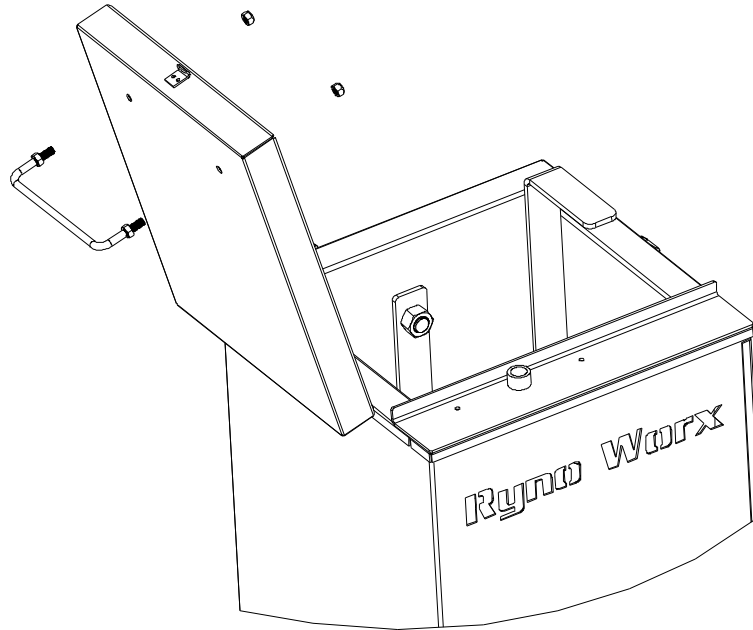
1) Install the Agitation Bar

Position the short side of the agitation bar over the right mounting stud first and then carefully bend the long side over the left stud

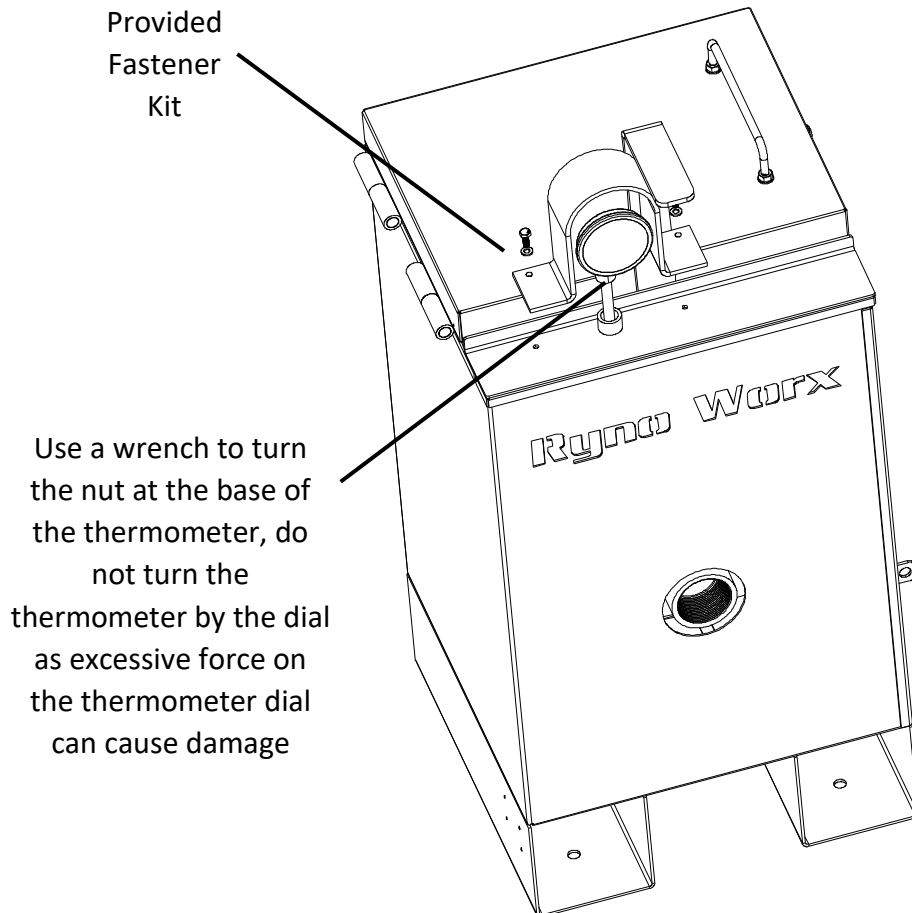


Thread the locknuts on each mounting stud, sufficient play should be left between the nut and agitation bar to allow the bar to swing freely – Note that since these are locknuts, a significant amount of force will be required to thread them on the stud. A long wrench is recommended to make the job easier.

2) Install the Lid Handle



3) Install Thermometer and Thermometer Guard

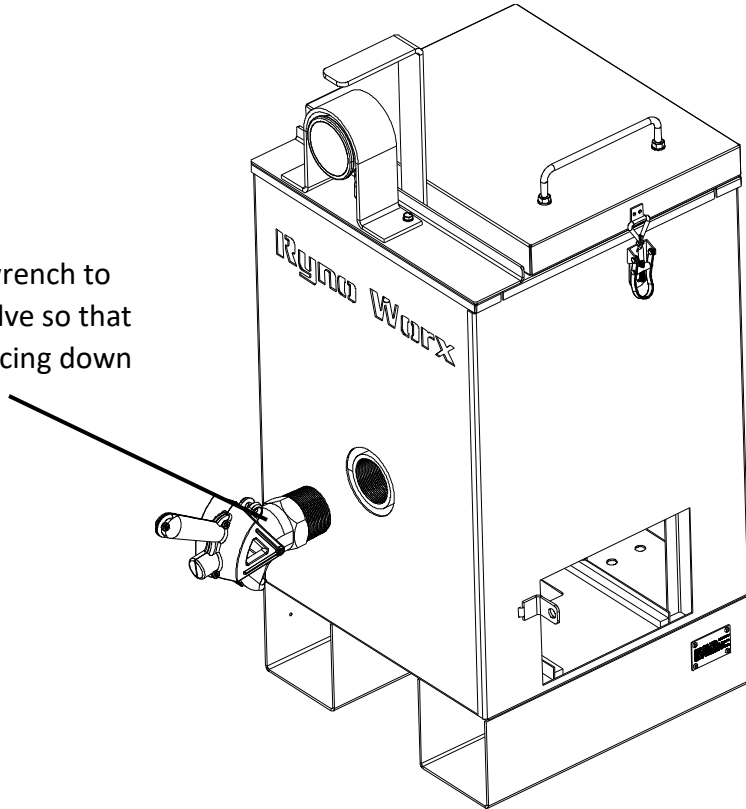


Provided
Fastener
Kit

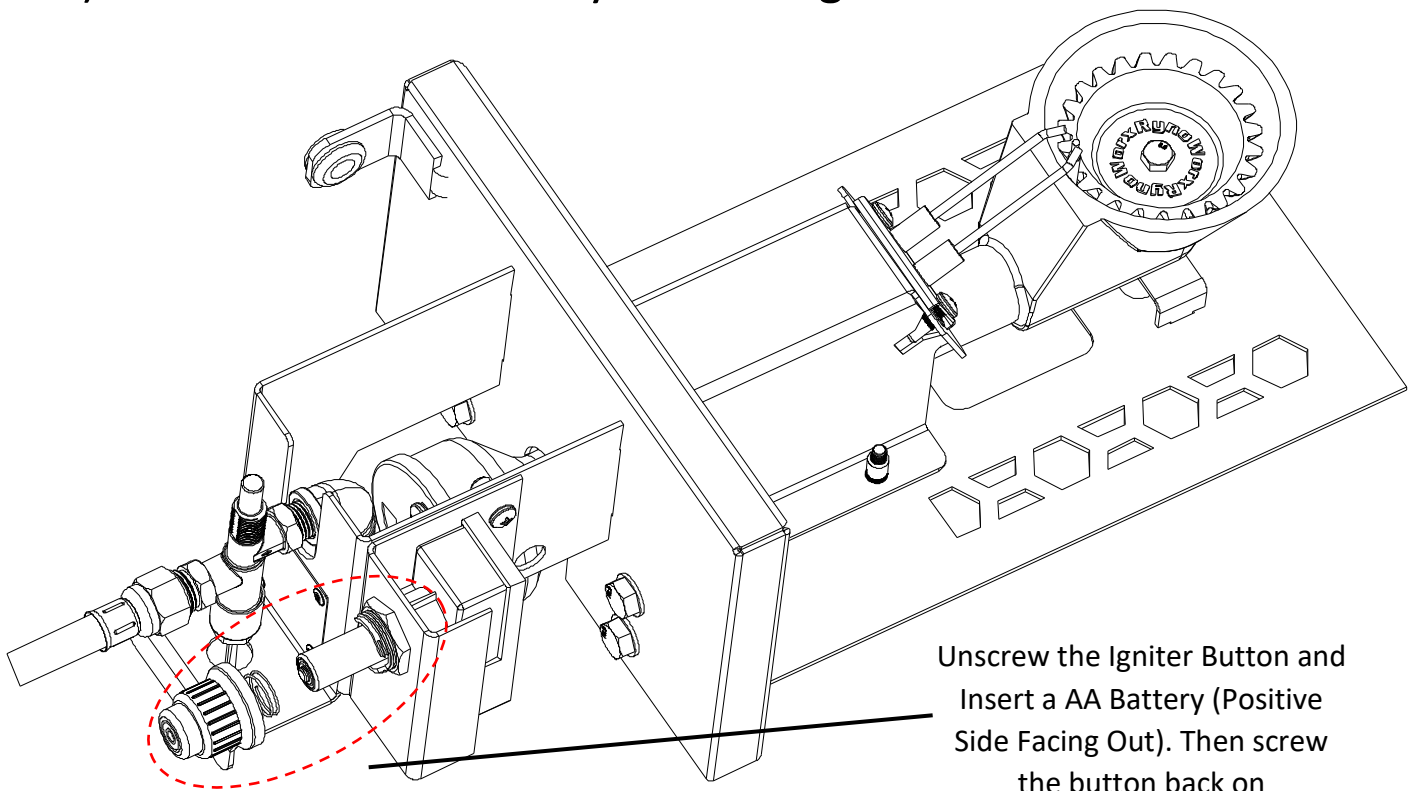
Use a wrench to turn
the nut at the base of
the thermometer, do
not turn the
thermometer by the dial
as excessive force on
the thermometer dial
can cause damage

4) Thread the Molasses Valve into the Collar

Use a pipe wrench to tighten the valve so that the spout is facing down

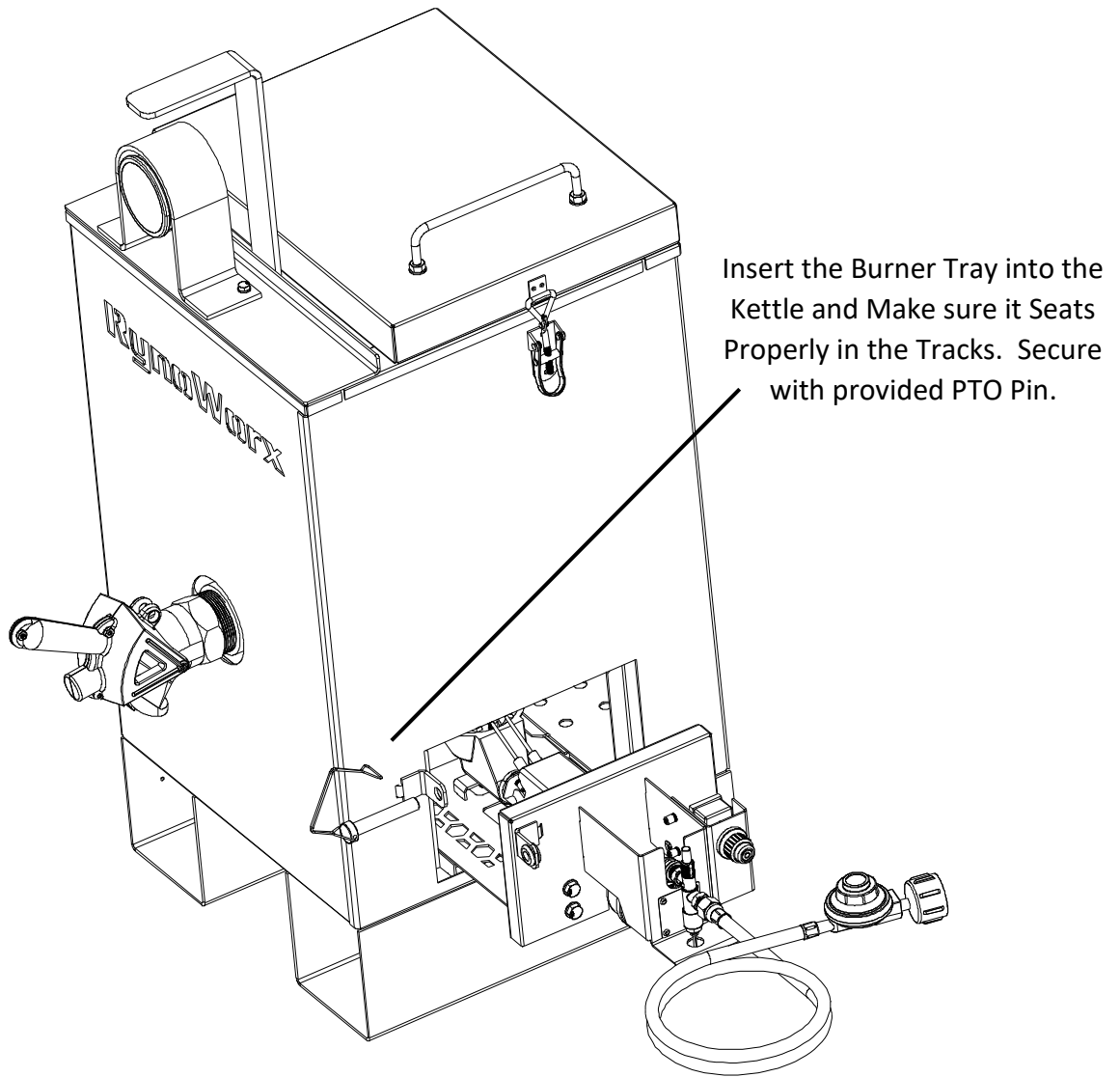


5) Install the AA Battery into the Igniter



Unscrew the Igniter Button and Insert a AA Battery (Positive Side Facing Out). Then screw the button back on

6) Install the Burner Trays



⚠ Make sure the burner trays are secured with the PTO pin at all times, especially during transportation and operation.

⚠ Make sure to secure the propane hose so that they are clear of the hot kettle walls during operation.

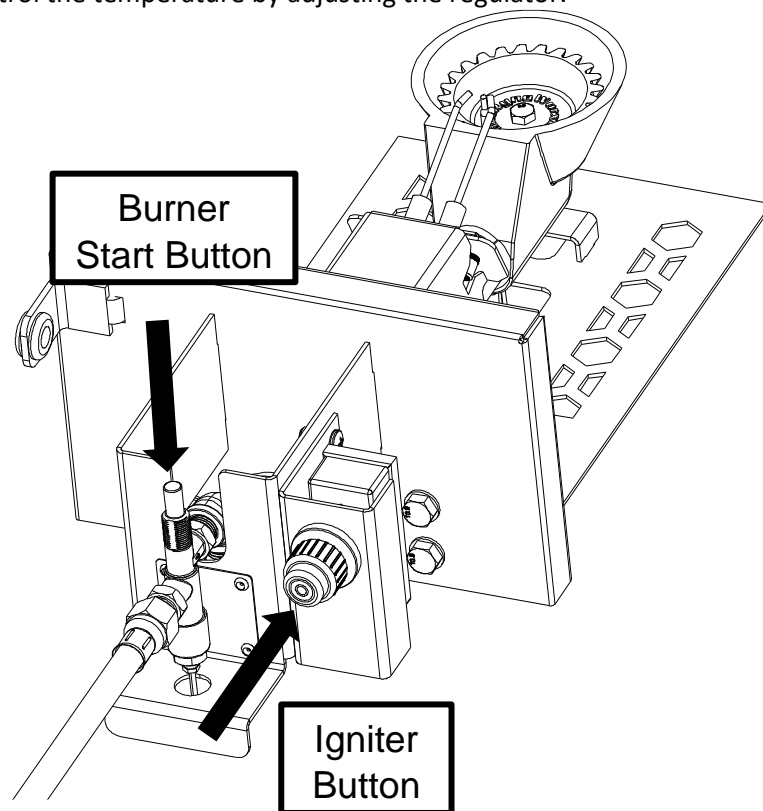
- **Operations Guide**

Before beginning please check the following:

1. You have read and understand all warnings on page 2.
2. You are using new and full propane cylinder (use of a used cylinder can lead to reduced performance or equipment failure).
3. You have inspected your regulator, hose and burner assembly and verified there are no leaks or physical damage.
4. You are outdoors in a well-ventilated area that is free and clear of any flammable matter.
5. You have completed the assembly of the equipment correctly.
6. You have 'Direct Fire' type crack sealant such as GemSeal, SealMaster, Durafill, Craftco or Maxwell.
7. There is absolutely NO water in or around the kettle.
8. You are wearing a protective face shield.
9. You are wearing heat and fire resistant protective gloves.
10. You are wearing heat and fire resistant protective clothing which covers all exposed skin.

Part 1 – How to Load and Light your Melter

1. Ensure your regulator is off by rotating regulator nob fully counter-clockwise (rotate left).
2. Slowly pressurize the regulator by rotating the valve located on the propane cylinder counter-clockwise all the way (rotate left).
3. Inspect and ensure there are no leaks between any of the connections before proceeding.
4. Load crack sealant into kettle, while ensuring sealant is resting on the bottom of the kettle.
5. Pressurize the propane hose by rotating the regulator knob fully clockwise (rotate right).
6. Press and hold the electric igniter button immediately followed by the burner starter button. Continue holding both buttons until the burner ignites.
7. Once the burner ignites, release the electric igniter button, however continue to hold the starter button for an additional 15-20 seconds. This will eventually deactivate the flame-out sensor which is responsible for ensuring the burner stays lit.
8. Once lit, you can control the temperature by adjusting the regulator.



- **Operations Guide**

Part 2 – Agitating and Monitoring Temperature

1. Never leave melter unattended when the burner is lit. If flame goes out, promptly turn off the flow of gas; double check that the melter is free and clear of any gas odors before attempting to re-ignite the burner.
 2. While your melter is ignited you should continuously be monitoring the material temperature. Check with your crack sealant manufacturer for safe melting temperatures and ensure you continually adjust the burner control knob to maintain the recommended temperature range. If the material becomes too hot, you may need to turn off your burner periodically.
 3. As material begins to melt, it's important to consistently agitate. Agitation moves the solid crack sealant along the bottom and prevents 'hot spots' from forming which can alter the effectiveness of the sealant after applied. Agitation also prevents chunks of over-heated material from forming which will eventually plug or block your flow valve which can slow down material flow.
-

Part 3 – Dispensing Crack Filler

Once you have effectively liquefied the crack sealant, you may begin to dispense it from the molasses valve into a pour pot or other application device. Having a hot molasses valve helps facilitate the flow of melted crack fill. We recommend having an auxiliary heating torch on hand to heat up the molasses valve before dispensing.

Part 4 – Turning Off and Draining

Once you have finished using the melter, make sure it is fully drained and no crack filler remains inside the kettle or the flow valve. Leaving the flow valve empty after use will prevent the valve from being blocked the next time you use the melter.

- **Periodic Maintenance**

This melter / applicator requires periodic maintenance before each use and at set intervals in order to ensure it is performing safely and optimally. The list below describes checks and maintenance which are recommended.

- Check Propane Tank fuel level, refill as needed.
- Inspect regulator, hose, gas connections, and burner for physical damage or leaks before every use.
- Periodically inspect thermometer for physical damage or malfunctions.
- Periodically scrape crystallized material from the inside of the kettle.

• **Troubleshooting Guide**

Below we have provided a common problems and solutions table. Be sure to consult this table should you experience any technical problems.

Description of Problem	Possible Causes	Known Solutions
The burner will not ignite or the burner will not stay lit	<ol style="list-style-type: none"> 1) The electric igniter may have dead or low power batteries 2) Burner start button is not being held long enough for ignition to take place 3) The fuel level could be too low 4) The propane cylinder valve could be partially or fully closed, which can restrict fuel flow 	<ol style="list-style-type: none"> 1) Change the batteries located in the igniter assembly, double check spark. 2) Ensure you hold your burner start button until the burner ignites, continue to hold for an additional 15-20 seconds 3) Check and refill your fuel tank 4) Ensure your fuel valve is fully open, you can do this by turning the knob fully counter-clockwise
Crack filler is hot, but will not come out of the flow valve	<ol style="list-style-type: none"> 1) Crack filler was left inside the melter from a previous job. This crack filler has solidified inside the molasses valve and although the material in the kettle is melted, the material in the molasses valve may not be. 	<ol style="list-style-type: none"> 1) Allow the burner more time to heat up the valve until the crack filler inside begins to melt. Alternatively, you may heat up the valve using a propane torch assembly.
Burner will not stay lit	<ol style="list-style-type: none"> 1) The fuel level may be too low 2) Loose connection between the thermocouple and flame-out valve 	<ol style="list-style-type: none"> 1) Refill your fuel tank 2) Tighten the thermocouple connection to the flame-out valve
Crack filler is melting really slowly	<ol style="list-style-type: none"> 1) Incorrect crack sealant being used 2) Burner is not providing enough heat to melt the crack sealant 3) The temperature outside is cooler than normal slowing down the melting process 	<ol style="list-style-type: none"> 1) Double check that you are using an approved crack sealant for use in direct-fire melters 2) Increase the fuel to your burner 3) No solutions, melting takes longer on cooler days