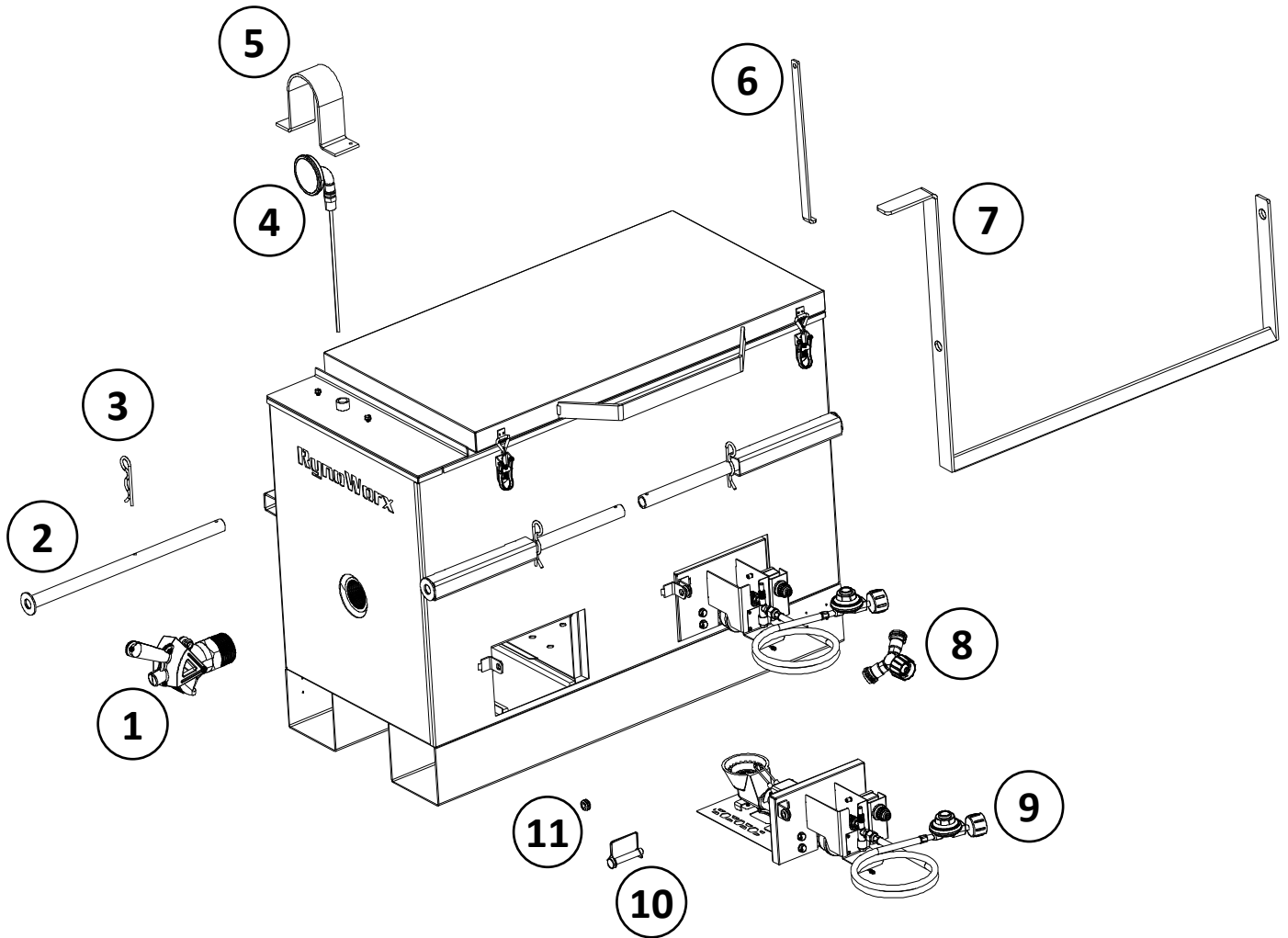

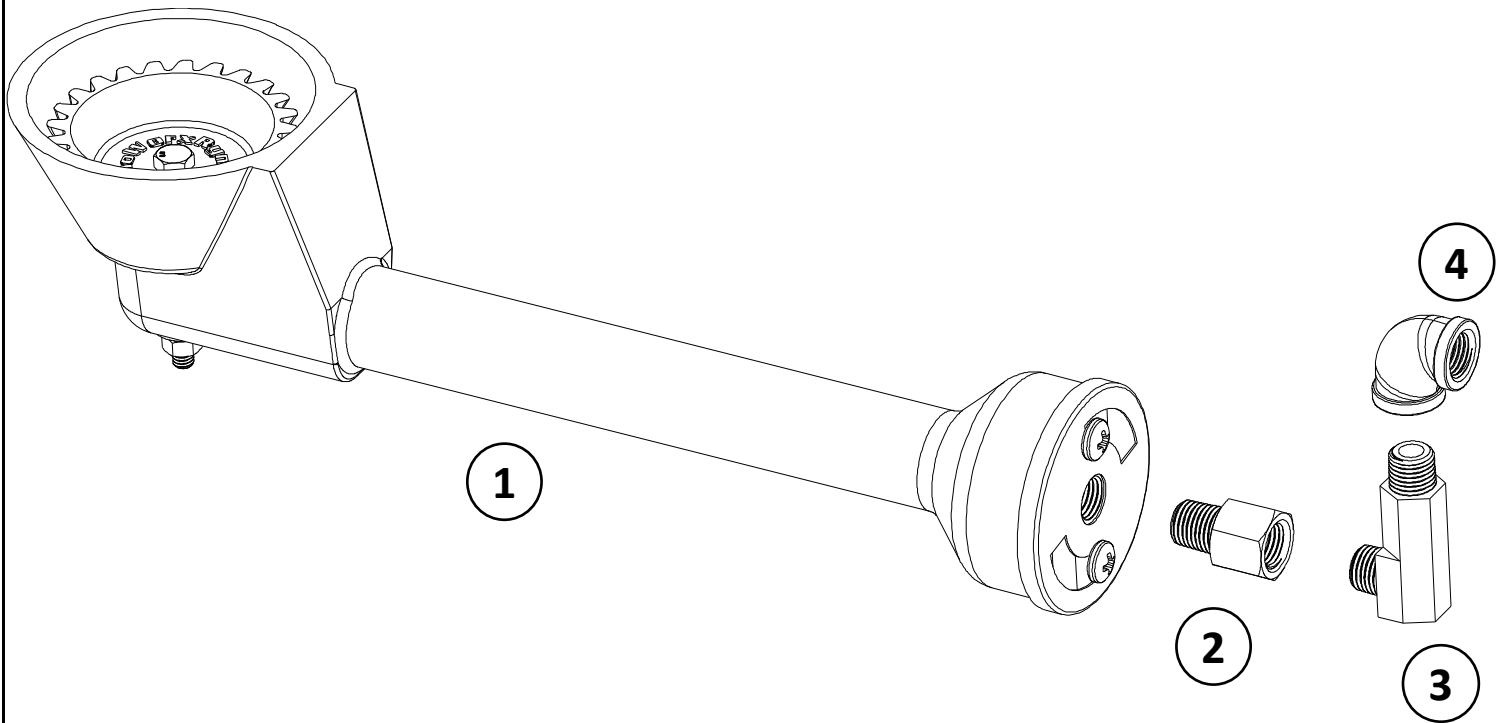



No	P/N	Qty	Description
1	RA-VLV-0003	1	2" NPT Molasses Valve Assembly
2	RC-FAB-0103	4	30MK Removable Body Handle
3	RC-PIN-0011	4	Hairpin Cotter Pin - 30MK Kettle Body Handles
4	RC-GCM-0067	1	Thermometer - 16.5" Probe - Shock Proof Liquid Filled
5	RC-FAB-0010	1	Thermometer Guard Bracket
6	RC-FAB-0101	1	Melter Lid Support Slider
7	RC-FAB-0086	1	Agitation Sweep Bar - RY30MK-PRO-V1
8	RC-GCM-0049	1	Propane Tank Y Splitter / Adaptor
9	RA-BRN-0010	2	Burner Tray Complete Assembly - 5 psi Kettle Burner
10	RC-PIN-0008	2	3/8" x 1-3/8" Lock Pin with Retainer
11	RC-GSK-0026	2	SBR Rubber Push-In Grommet for 1/2" ID and 3/32"



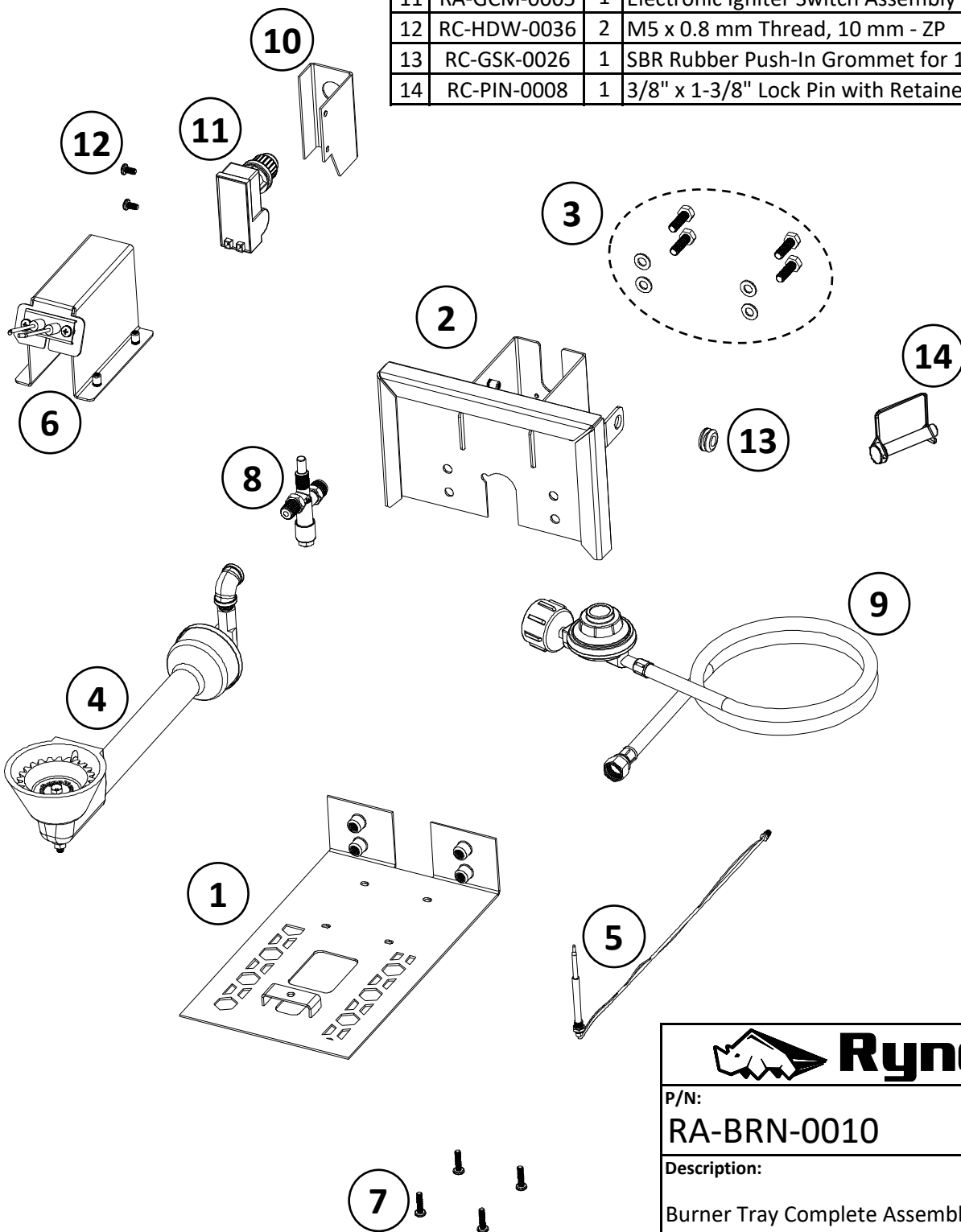
 RynoWorx		
P/N:	Model	Rev:
RA-MLT-0008	RY30MK-Pro-V2	1
Description:		
RY30MK-Pro Crack Fill Melter Kettle - Version 2		

No	P/N	Qty	Description
1	RA-BRN-0005	1	Cast Iron Burner Assembly - 11.5"
2	RC-FIT-0080	1	Brass Fitting - 1 mm Orifice - 1/4" NPT M-F
3	RC-FIT-0081	1	Brass Fitting - 90° 1/4" NPT M-M - 42.75 mm
4	RC-FIT-0083	1	Brass Fitting - 90° 1/4" NPT F-F



 RynoWorx	
P/N: RA-BRN-0007	Rev: 1
Description: Cast Iron Burner - 11.5" with Fittings (1/4" NPT)	

No	P/N	Qty	Description
1	RC-FAB-0165	1	Burner Tray MK-HP - Tray
2	RC-FAB-0166	1	Burner Tray MK-HP - Door
3	RK-FAS-0085	1	Fastener Kit - Burner Tray Door - Kettle
4	RA-BRN-0007	1	Cast Iron Burner - 11.5" with Fittings (1/4" NPT)
5	RC-TPL-0002	1	Thermocouple - Pro - 54 cm wires
6	RA-BAS-0075	1	Igniter Sub-Assembly - Kettle (37 cm wire)
7	RC-HDW-0042	4	Pan Head Phillips - M5x0.8 mm x 20 mm Long
8	RA-VLV-0019	1	Flame Out Valve Assembly - CSA - 30 psi w Flare Fittings
9	RC-REG-0003	1	5 Psi Adjustable Regulator - 200 cm Hose with 3/8" Flare Fitt
10	RC-FAB-0141	1	Igniter Bracket - MA-V4
11	RA-GCM-0005	1	Electronic Igniter Switch Assembly
12	RC-HDW-0036	2	M5 x 0.8 mm Thread, 10 mm - ZP
13	RC-GSK-0026	1	SBR Rubber Push-In Grommet for 1/2" ID and 3/32"
14	RC-PIN-0008	1	3/8" x 1-3/8" Lock Pin with Retainer

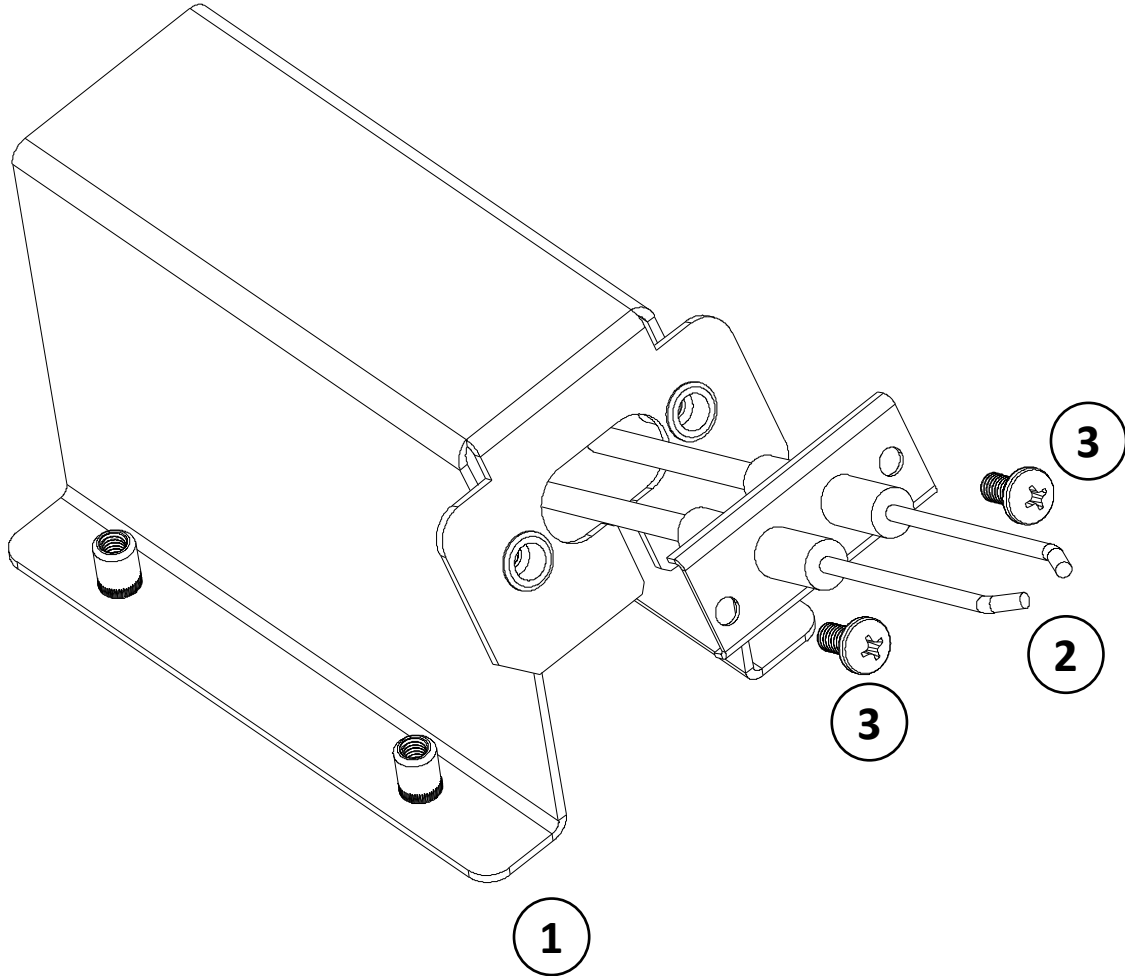



RynoWorx

P/N: RA-BRN-0010	Rev: 1
---------------------	-----------

Description:
Burner Tray Complete Assembly - 5 psi Kettle Burner

No	P/N	Qty	Description
1	RC-FAB-0167	1	Burner Tray MK-HP - Igniter Mount
2	RC-IGN-0002	1	Igniter Electrode Probe with Wires - Pro (37 cm)
3	RC-HDW-0036	2	M5 x 0.8 mm Thread, 10 mm - ZP



 RynoWorx	
P/N: RA-BAS-0075	Rev: 1
Description: Igniter Sub-Assembly - Kettle (37 cm wire)	