

- **Operation**

Before beginning please check the following:

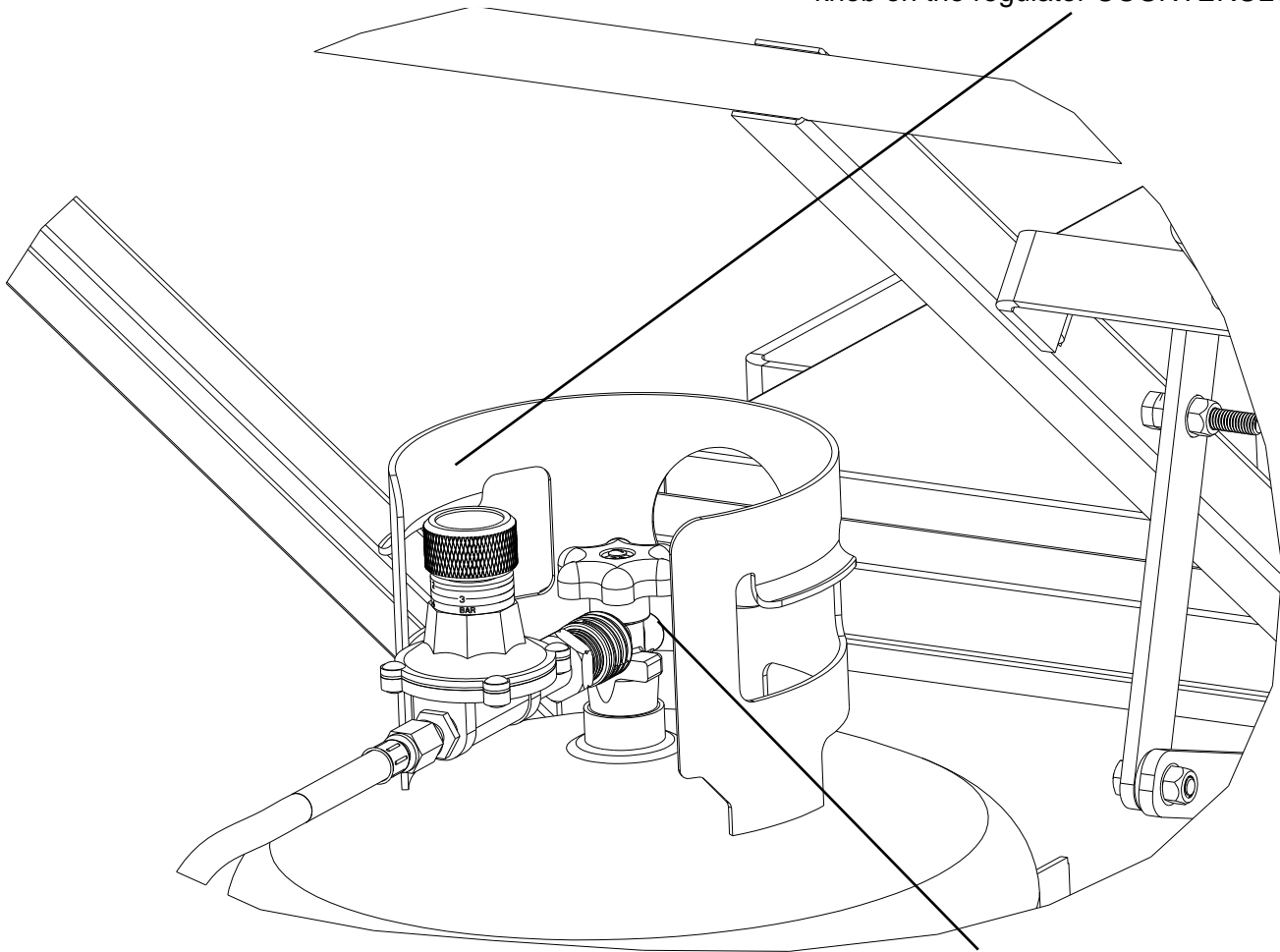
1. You have read and understand all warnings on page 2.
2. You are using a new and full propane cylinder (use of a used cylinder can lead to reduced performance or equipment failure).
3. You have inspected your regulator, hose, and torch assembly and verified there are no leaks or physical damage.
4. You are outdoors in a well ventilated area that is free and clear of any flammable matter.
5. You have completed the assembly of the equipment correctly.
6. There is absolutely NO water in or around the kettle.
7. You are wearing protective eyewear.
8. You are wearing heat and fire resistant protective gloves.
9. You are wearing heat and fire resistant protective clothing which covers all exposed skin.

- Operation

How to Light your Torch

1.

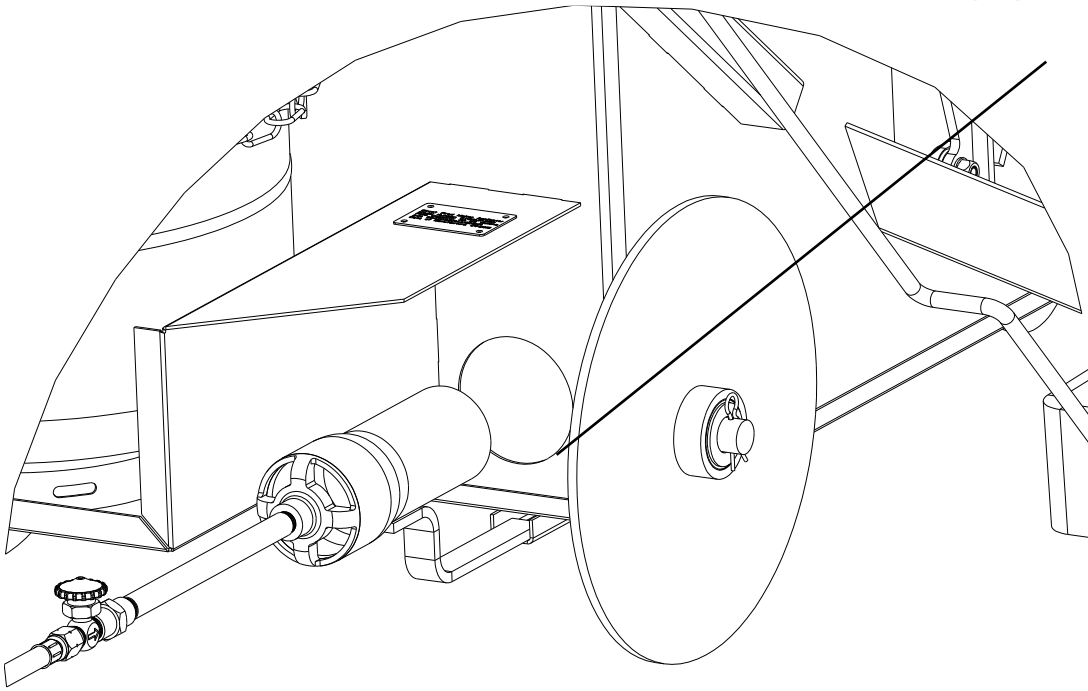
Fully CLOSE the regulator valve by turning the knob on the regulator COUNTERCLOCKWISE



Fully OPEN the propane cylinder by turning the valve COUNTERCLOCKWISE.

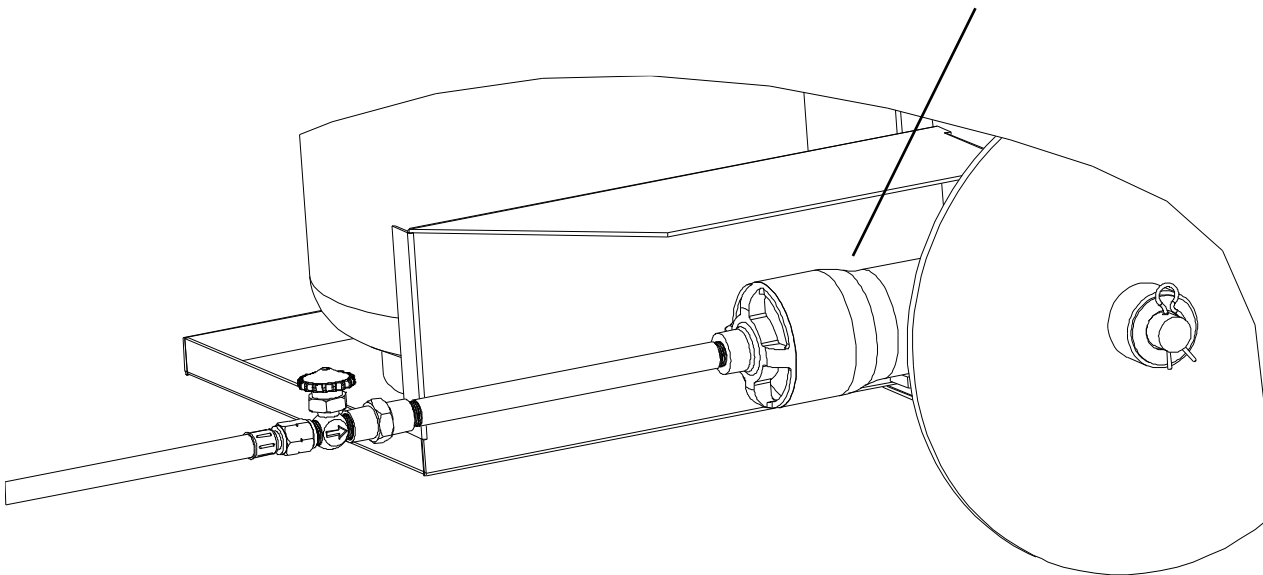
2.

Remove the torch from the machine and turn the regulator knob two turns **CLOCKWISE** so that the propane starts to flow. Ignite the torch.

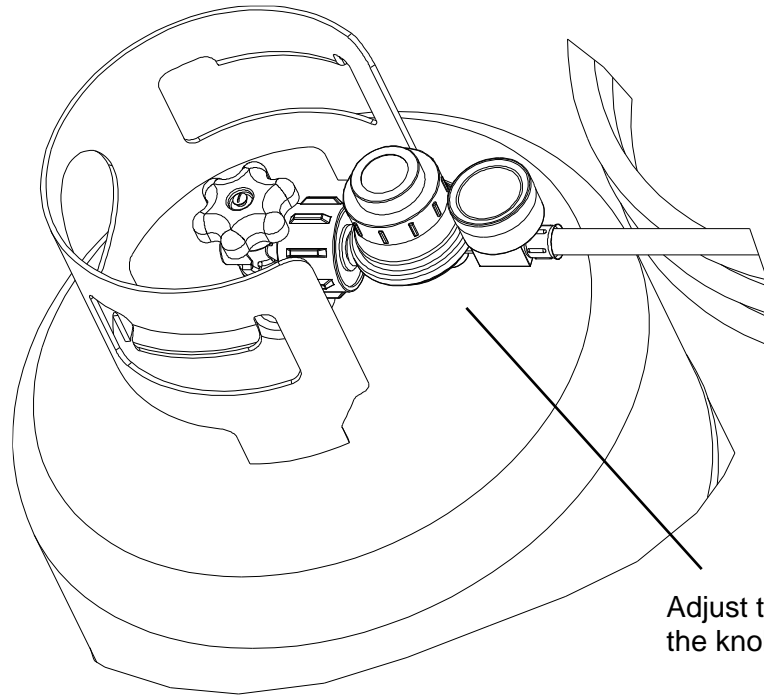


3.

Return the torch to the torch holder.



4.



Adjust the flame by turning the knob on the regulator.

⚠ Never exceed the manufacturer's recommended material maximum temperature.