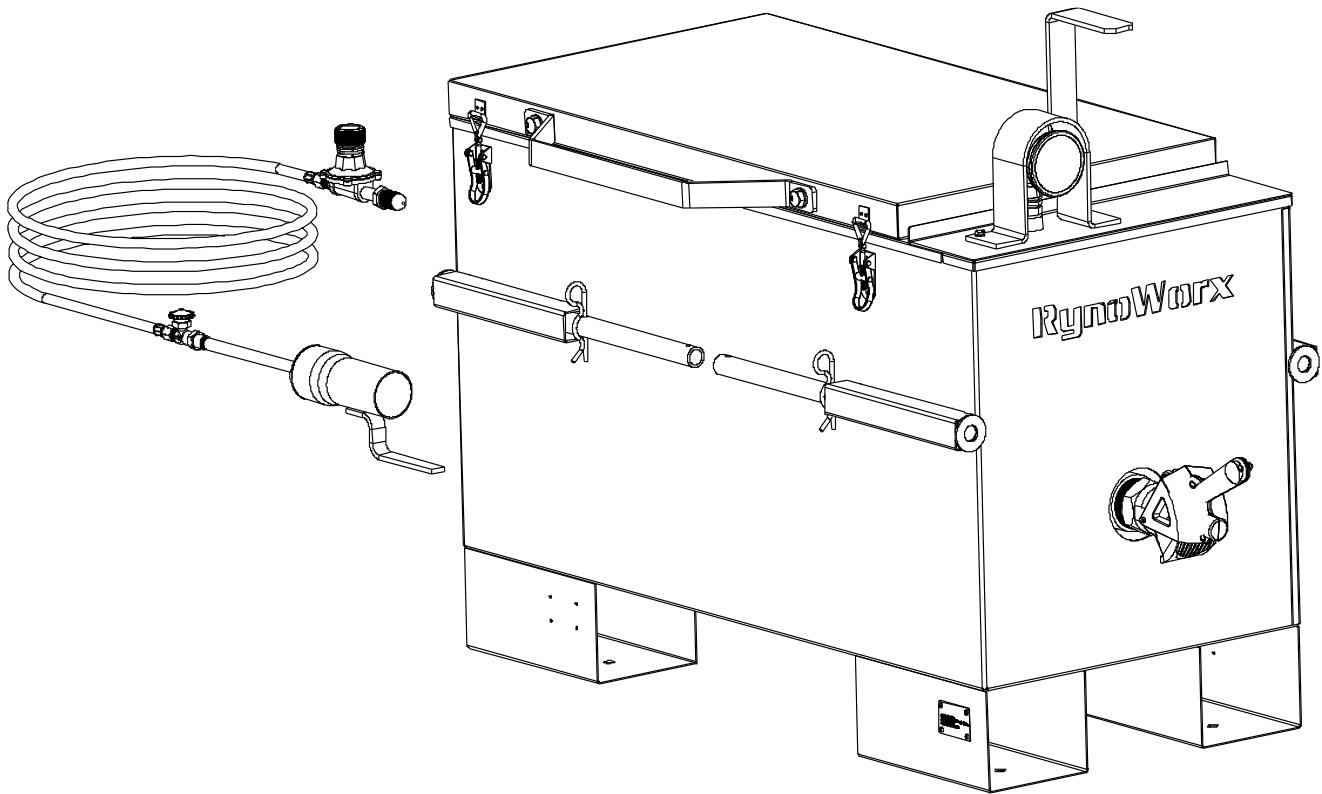


RynoWorx

Operator's Manual



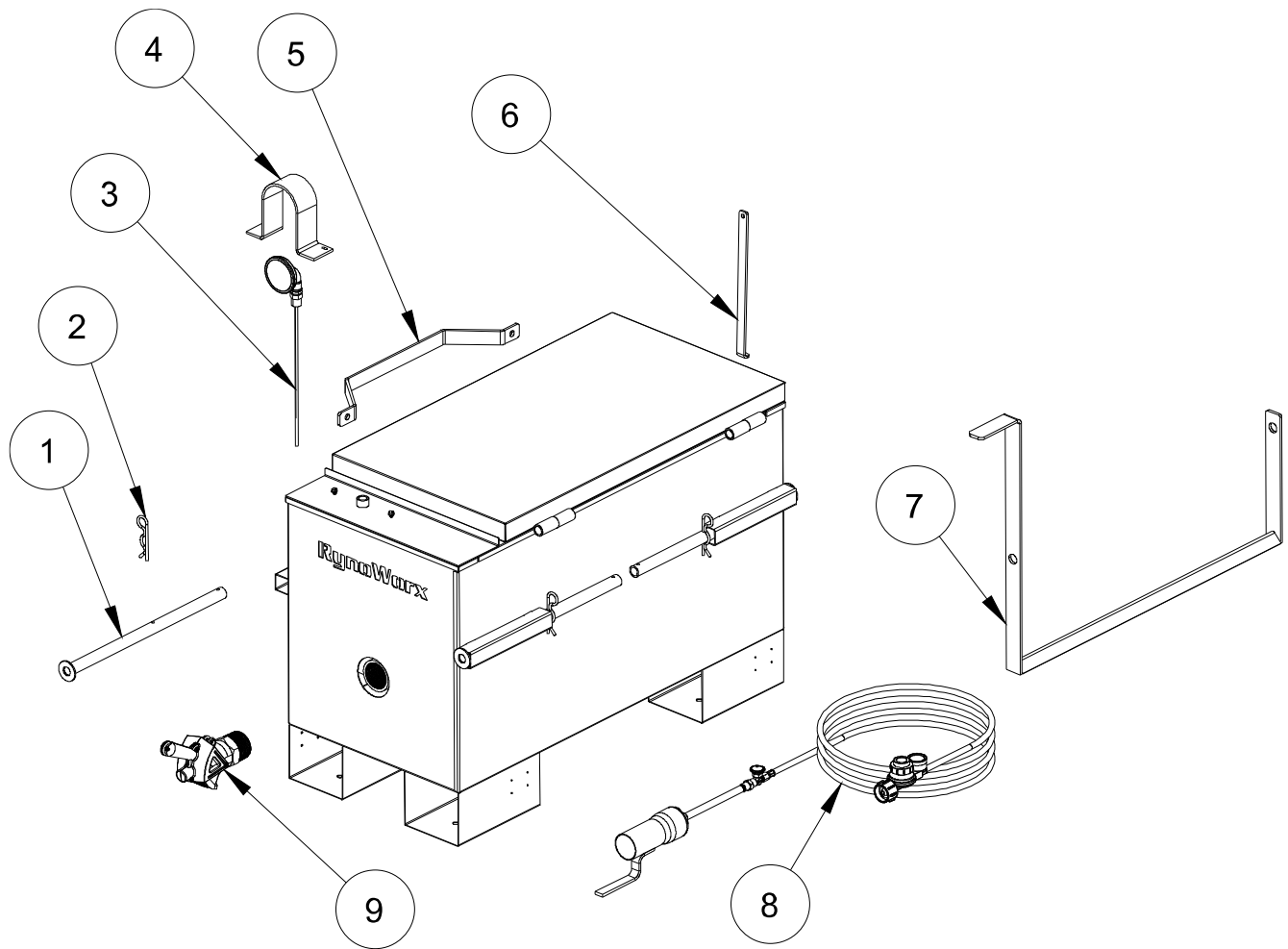
Model: RY30MK
MPN: RA-MLT-0010
30 Gallon Melter Kettle
Torch Model

For Technical Support Please Visit www.RynoWorx.com or Call 1-855-382-9611

WARNING

- ⚠ Read all instructions and warnings in this manual before attempting to operate this equipment.
- ⚠ This equipment is designed for outdoor use only.
- ⚠ Be sure to always wear personal protective equipment when operating this equipment.
- ⚠ Improper assembly may be dangerous. Please follow the assembly instructions in this manual. Make sure all parts are assembled and hardware is fully tightened before using. Make sure that there are no leaks in the liquid propane cylinder connection or lines.
- ⚠ Do not operate the equipment if a gas leak is present. (check for leaks and connections with every use)
- ⚠ Do not attempt to disconnect the gas regulator from the tank or any gas fitting while the equipment is in use.
- ⚠ A dented or rusty liquid propane tank may be hazardous and should be checked by your liquid propane supplier. Do not use a liquid propane tank with a damaged valve.
- ⚠ Ensure that your propane cylinder is within its expiry date for your local jurisdiction. If the tank has expired it must be properly requalified to continue using.
- ⚠ Do not store spare liquid propane cylinders within 10 feet (3m) of this equipment.
- ⚠ Do not store or use gasoline or other flammable liquids or vapors within 25 feet (8m) of this equipment.
- ⚠ Before servicing, make sure the unit is fully cooled and the liquid propane cylinder is disconnected.
- ⚠ Only genuine RynoWorx replacement parts should be used for any replacements or repairs. Do not attempt to modify or alter this product in any way.
- ⚠ Do not attempt to make any repairs to gas carrying, gas burning, igniter components or structural components. Your actions, if you fail to follow this warning, may cause a fire, an explosion, or structural failure resulting in serious personal injury or death as well as damage to property.
- ⚠ Failure to follow these instructions could result in fire or explosion which could cause property damage, personal injury or death.

No	P/N	Description
1	RC-FAB-0103	30MK Removable Body Handle
2	RC-PIN-0011	Hairpin Cotter Pin - 30MK Kettle Body Handles
3	RC-GCM-0067	Thermometer - 16.5" Probe - Shock Proof Liquid Filled
4	RC-FAB-0010	Thermometer Guard Bracket
5	RC-FAB-0102	30MK Removable Lid Handle
6	RC-FAB-0101	Melter Lid Support Slider
7	RC-FAB-0086	Agitation Sweep Bar - RY30MK-PRO-V1
8	RA-GCM-0015	Torch Complete Assembly
9	RA-VLV-0003	2" NPT Molasses Valve Assembly



RynoWorx

MPN:
RA-MLT-0010

Model:
RY30MK

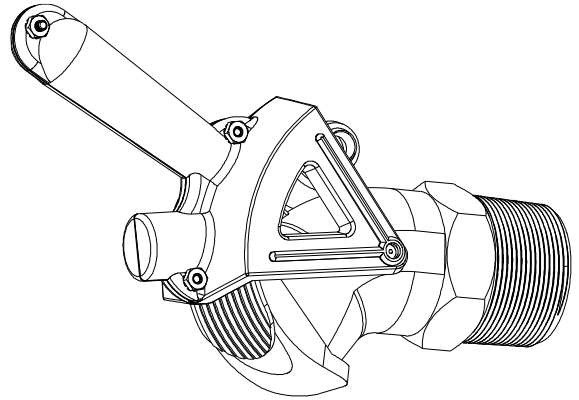
Description:
30 Gallon Melter Kettle Torch Model

• Replacement Parts

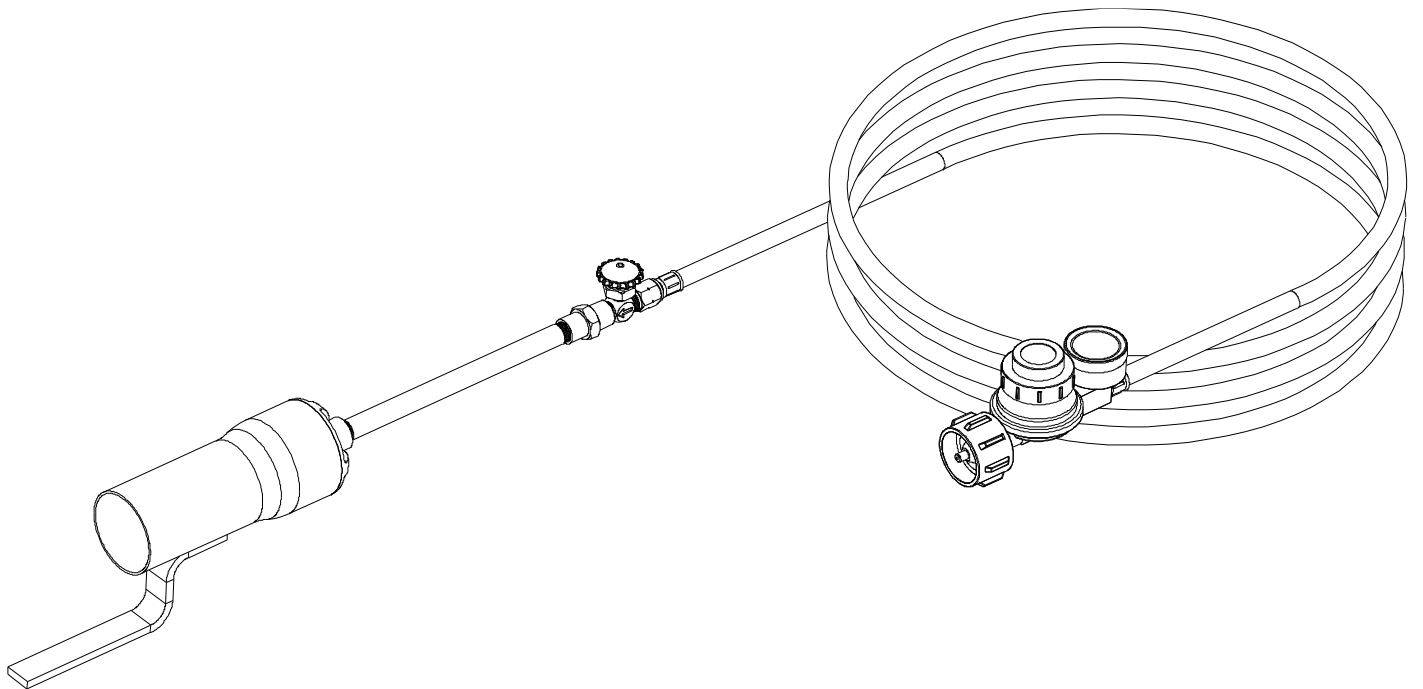
RA-GCM-0067 - Thermometer - 16.5" Probe - Shock Proof



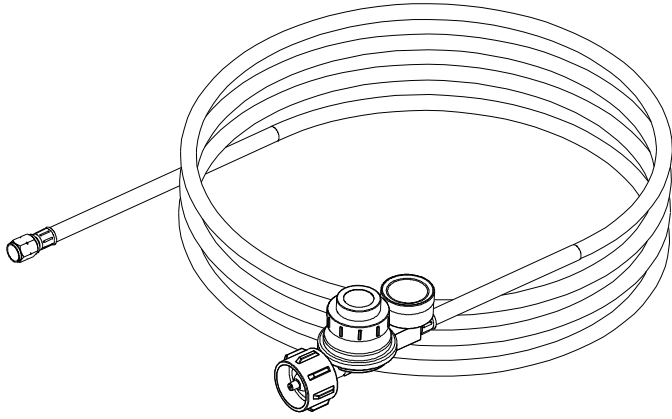
RA-VLV-0003 - 2" NPT Molasses Valve



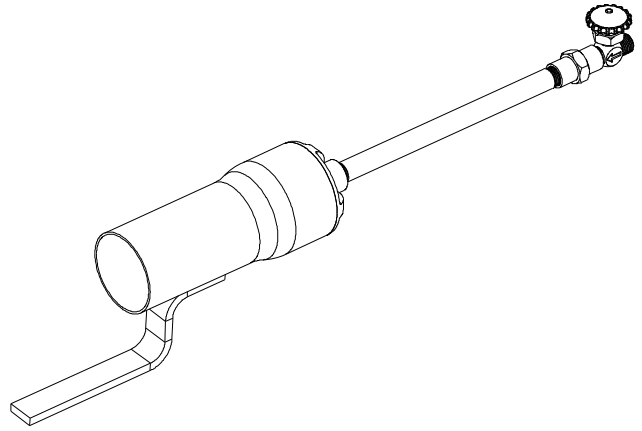
RA-GCM-0015 - Torch Complete Assembly



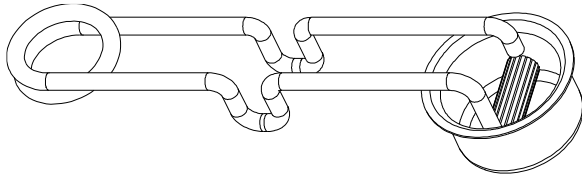
RC-GCM-0068 - Regulator and Hose - 0 - 30 Psi with Pressure Gauge (10' Hose)



RC-GCM-0016 - Torch for Melter Applicator with Valve



RC-STK-0001 - Flint Striker



- **Introduction**

Forward

Thank you very much for purchasing RynoWorx crack maintenance equipment. We pride ourselves in being different from other equipment manufacturers with a relentless focus on innovation, simplicity, and quality.

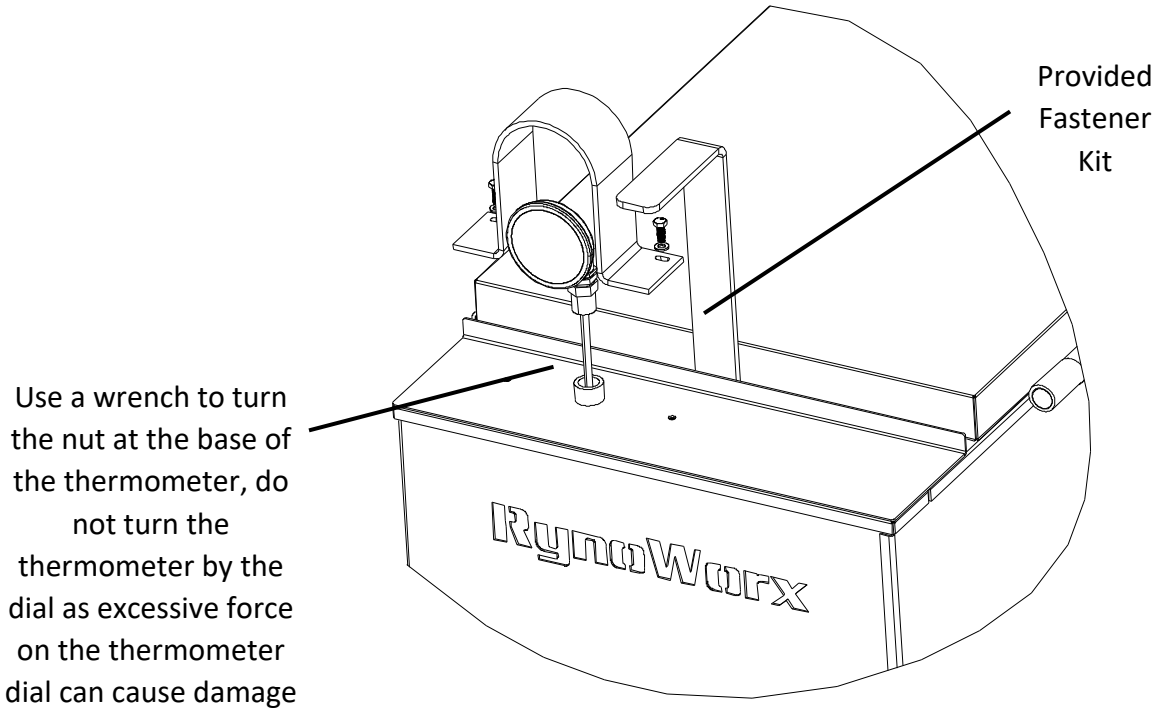
This melter was designed to be used with 'Direct Fire' crack sealants only. Please be sure to purchase the correct material to ensure safe and effective operation.

Within this document are complete instructions for how to assemble, use, and care for your equipment. Please make sure you read and follow all instructions provided.

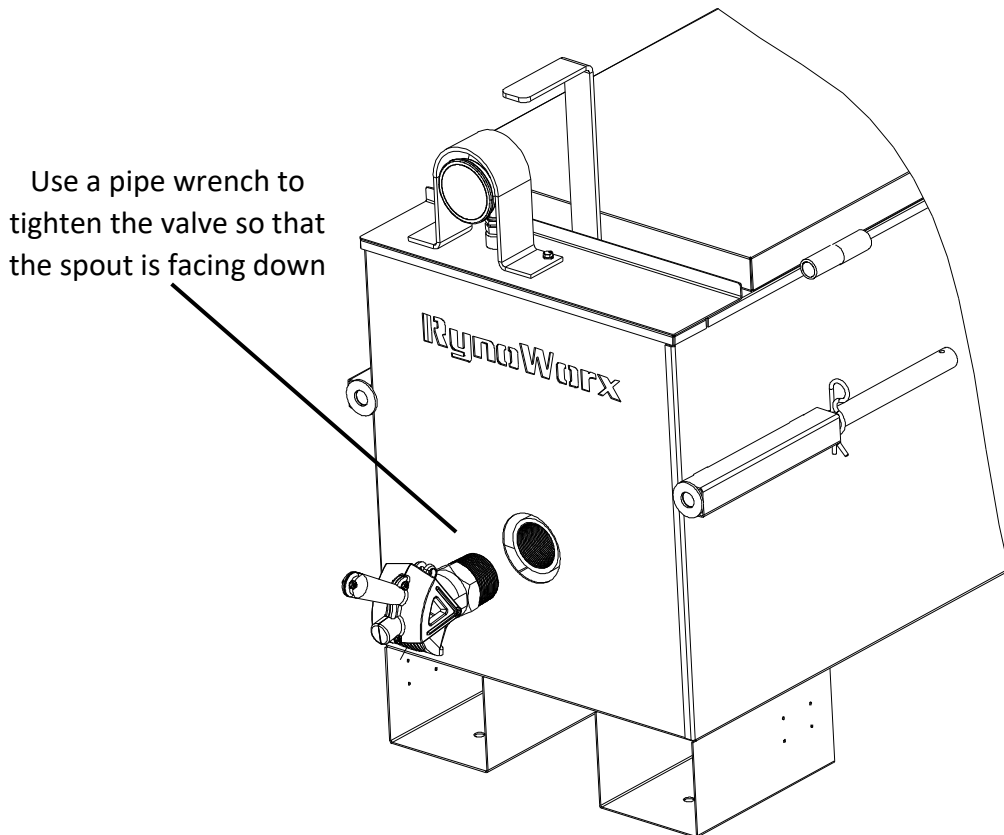
Within this document you will find the following resources:

- **Assembly Instructions** – These instructions will assist you in assembling and preparing your melter for first time use.
- **Operation Guide** – This guide will explain the functions and controls of the melter and how to use them.
- **Maintenance Guide** – This guide will provide you with suggested maintenance tips and techniques to ensure proper function and optimal performance.
- **Troubleshooting Guide** – This guide will provide you with the most commonly reported problems, possible causes, and known solutions.

1) Install Thermometer and Thermometer Guard



2) Thread the Molasses Valve into the Collar



- **Operation Guide**

Before beginning please check the following:

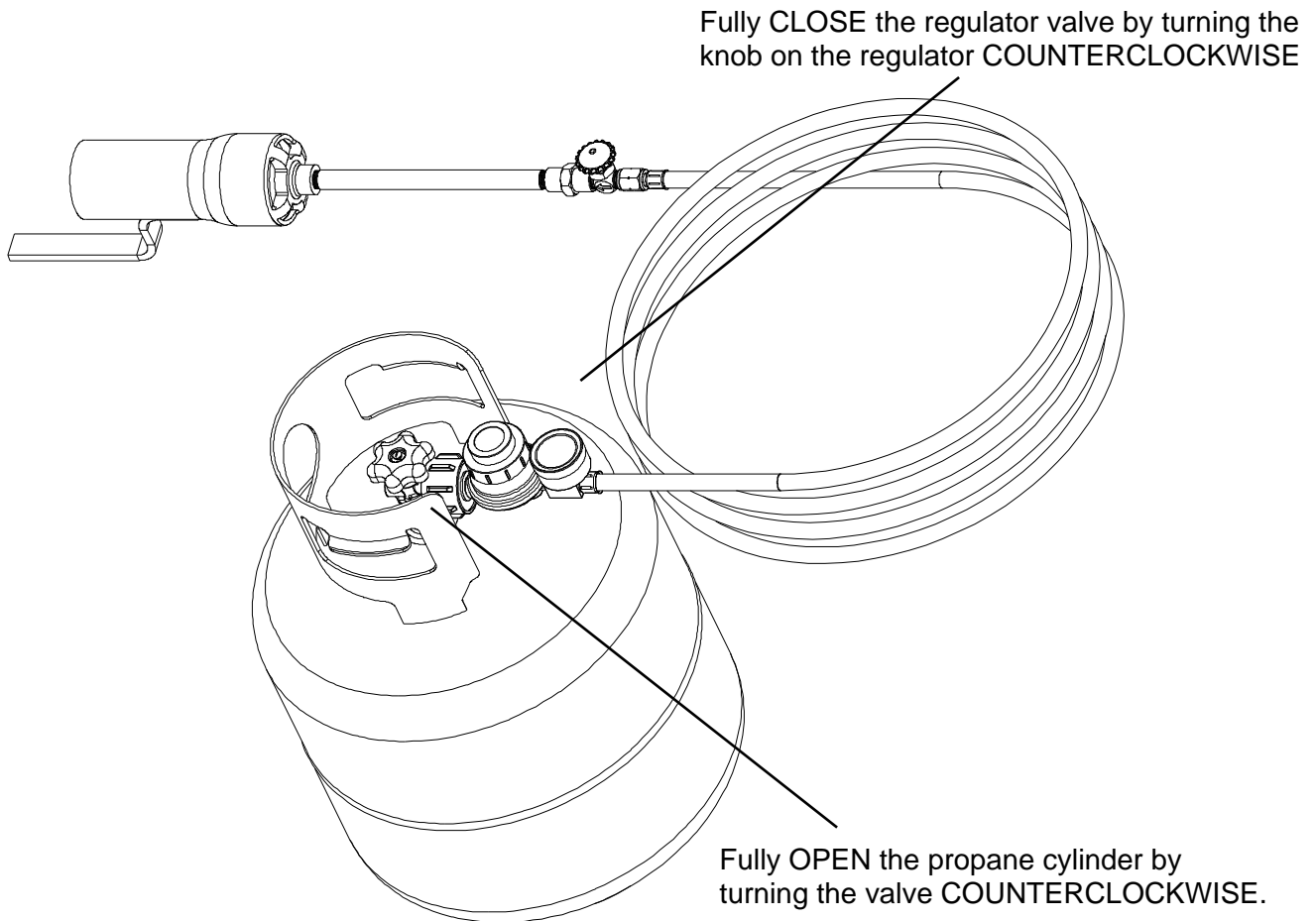
1. You have read and understand all warnings on page 2.
2. You are using new and full propane cylinder (use of a used cylinder can lead to reduced performance or equipment failure).
3. You have inspected your regulator, hose and torch assembly and verified there are no leaks or physical damage.
4. You are outdoors in a well-ventilated area that is free and clear of any flammable matter.
5. You have completed the assembly of the equipment correctly.
6. You have 'Direct Fire' type crack sealant such as GemSeal, SealMaster, Durafill, Craftco or Maxwell.
7. There is absolutely NO water in or around the kettle.
8. You are wearing a protective face shield.
9. You are wearing heat and fire-resistant protective gloves.
10. You are wearing heat and fire-resistant protective clothing which covers all exposed skin.

Part 1 – How to Load and Light your Melter

⚠ Inspect and ensure there are no leaks between any of the connections before proceeding.

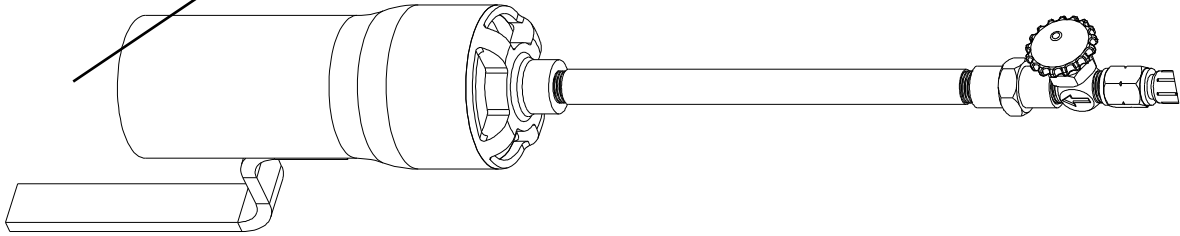
1. Load crack sealant into kettle, while ensuring sealant is resting on the bottom of the kettle.
2. How to Light your Torch

1.



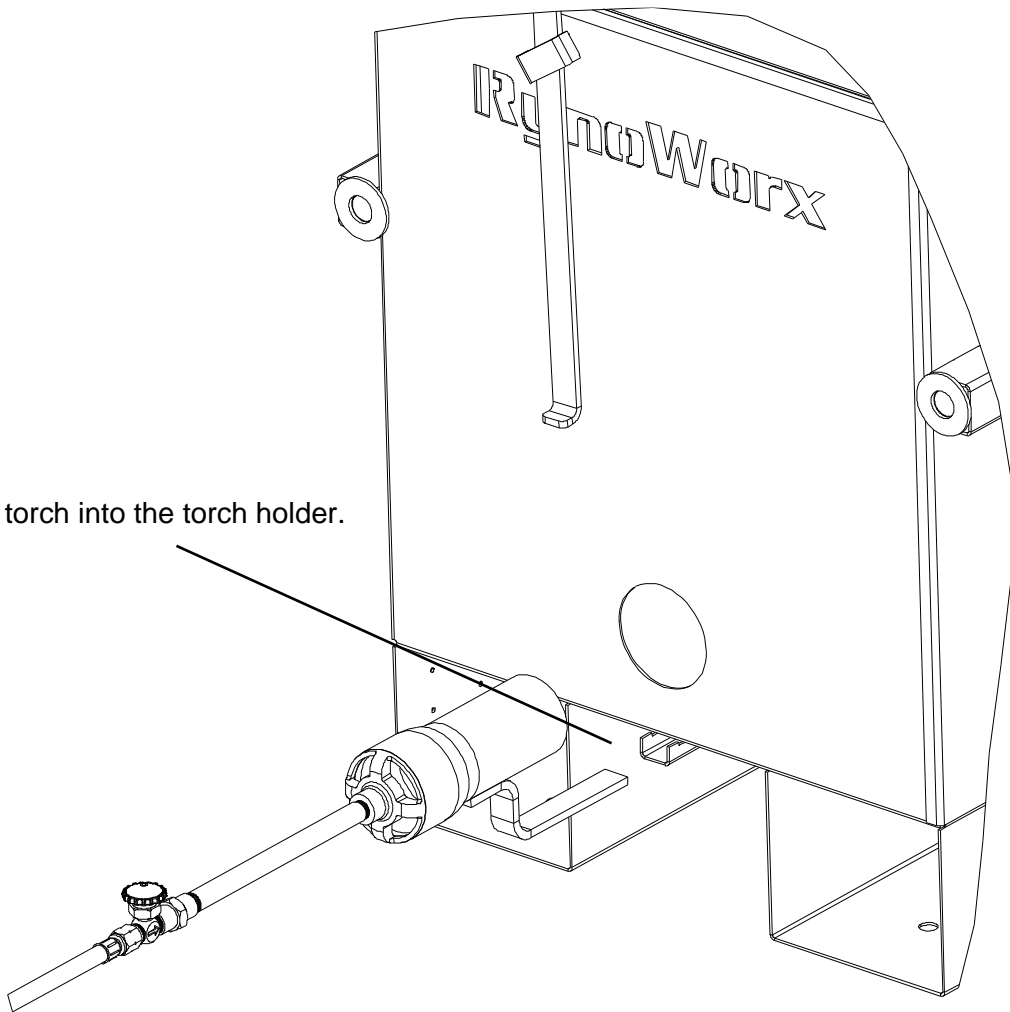
2.

Remove the torch from the machine and turn the regulator knob slowly **CLOCKWISE** so that the propane starts to flow. Ignite the torch.

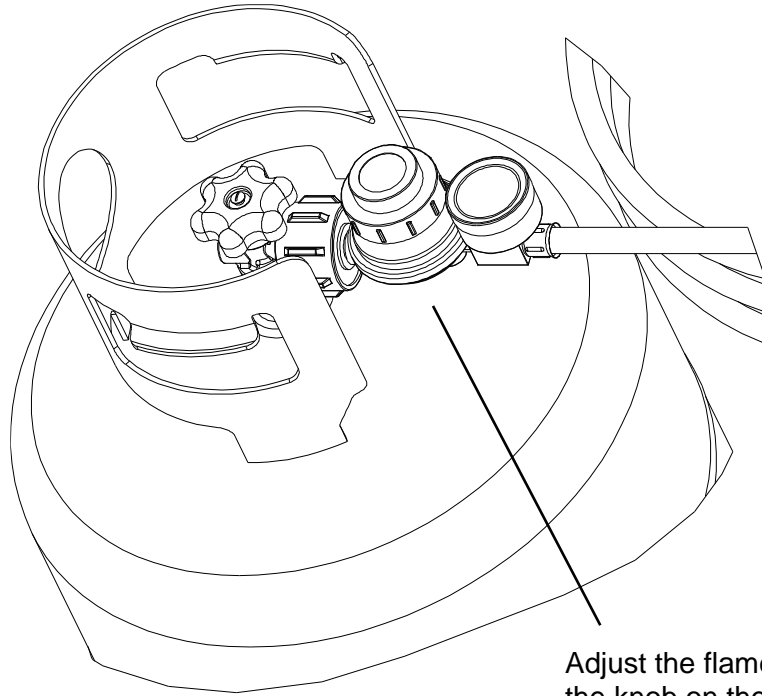


3.

Insert the torch into the torch holder.



4.



Adjust the flame by turning the knob on the regulator.

⚠ Never exceed the manufacturer's recommended material maximum temperature.

- **Operation Guide**

Part 2 – Agitating and Monitoring Temperature

1. Never leave melter unattended when the torch is lit. If the flame goes out, promptly turn off the flow of gas; double check that the melter is free and clear of any gas odors before lighting the torch again.
 2. While your melter is ignited you should continuously be monitoring the material temperature. Check with crack sealant manufacturer for safe melting temperatures and ensure you continually adjust the torch regulator to maintain the recommended temperature range. If the material becomes too hot, you may need to turn off your torch periodically.
 3. As material begins to melt, it's important to consistently agitate. Agitation moves the solid crack sealant along the bottom and prevents 'hot spots' from forming which can alter the effectiveness of the sealant after applied. Agitation also prevents chunks of over-heated material from forming which will eventually plug or block your flow valve which can slow down material flow.
-

Part 3 – Dispensing Crack Filler

Once you have effectively liquefied the crack sealant, you may begin to dispense it from the molasses valve into a pour pot or other application device. Having a hot molasses valve helps facilitate the flow of melted crack fill. We recommend using the heating torch to heat up the molasses valve before dispensing.

Part 4 – Turning Off and Draining

Once you have finished using the melter, make sure it is fully drained and no crack filler remains inside the kettle or the flow valve. Leaving the flow valve empty after use will prevent the valve from being blocked the next time you use the melter.

- **Periodic Maintenance**

This melter / applicator requires periodic maintenance before each use and at set intervals in order to ensure it is performing safely and optimally. The list below describes checks and maintenance which are recommended.

- Check Propane Tank fuel level, refill as needed.
- Inspect regulator, hose, gas connections/ valves, and torch for physical damage or leaks before every use.
- Periodically inspect thermometer for physical damage or malfunctions.
- Periodically scrape crystallized material from the inside of the kettle.

- **Troubleshooting Guide**

Below we have provided a common problems and solutions table. Be sure to consult this table should you experience any technical problems.

Description of Problem	Possible Causes	Known Solutions
The torch will not ignite or the torch will not stay lit	1) The fuel level could be too low 2) The propane cylinder valve could be partially or fully closed, which can restrict fuel flow 3) The pressure regulator valve may be in the off position or may not be providing sufficient fuel flow	1) Check and refill your fuel tank 2) Ensure your fuel valve is fully open. You can do this by turning the knob fully counter-clockwise 3) You may increase the pressure from the regulator by turning the knob clockwise
Crack filler is hot, but will not come out of the flow valve	1) Crack filler was left inside the melter from a previous job. This crack filler has solidified inside the molasses valve and although the material in the kettle is melted, the material in the molasses valve may not be.	1) Heat up the valve using the propane torch assembly.
Torch will not stay lit	1) The fuel level may be too low 2) The fuel tank valve or torch valve may not be fully open and therefore restricting fuel flow, or your regulator may not be providing enough pressure 3) The wind may be blowing out the flame.	1) Refill your fuel tank 2) Ensure your fuel tank valve and torch valves are fully open and use your regulator to increase or decrease flame strength 3) Move equipment to a less windy area or try turning equipment so that the torch is not facing the wind
Crack filler is melting really slowly	1) Incorrect crack sealant being used 2) Burner is not providing enough heat to melt the crack sealant 3) The temperature outside is cooler than normal slowing down the melting process	1) Double check that you are using an approved crack sealant for use in direct-fire melters 2) Increase the fuel to your burner 3) No solutions, melting takes longer on cooler days